



CONTENTS

Solenoid Valve Model Index.....	01
JL000 Solenoid Valve.....	02-03
JL000 Wastewater Valve.....	04
JL000 Normal Open Valve.....	05
JL000 Solenoid Valva.....	06
JL000 Wastewater Valve.....	07
JL000 Solenoid Valva.....	08
JL000 Wastewater Valve.....	09
JL000 Wastewater Low-noise solenoid valve.....	10
JL002 Valve.....	11-12
JL003 Solenoid Valve	13-14
JL003 Wastewater Valve.....	15
JL003 Solenoid Valve.....	16
JL003 Wastewater Valve.....	17-18
JL003 Wastewater Low-noise solenoid valve.....	19
JL003 Solenoid Valve	20-21
JL006 G1/4 Solenoid Valve.....	22
JL006 Wastewater Valve.....	23-24
JL006 G1/4 Normal Open Valve.....	25
JL007 Solenoid Valve.....	26-28
JL008 G1/4 Solenoid Valve.....	29
JL009 Valve.....	30-32
JL010 Valve.....	33-36
JL003 Low Pressure Switch.....	37
JL003 High Pressure Switch.....	38
Coil Wire Assy Option.....	39
The Information for solenoid valve choose.....	40
Valve body, Sealing Materials, and Medium Selection Table.....	41



Solenoid Valve Model Index

J L □ □ □ □ □ □ □ □ □ □ □ □ □ □

Distinguish Code: 01,02,03... (Distinguish the difference of the Label/Color/Type etc.)

Distinguish the Direction of the Coil Pins: 0、1、2、3、 (See Form 2)

NC Normal Close: NC; NO Normal Open: NO
2:2 Ways; 3:3 Ways

Voltage Level: See Form 1

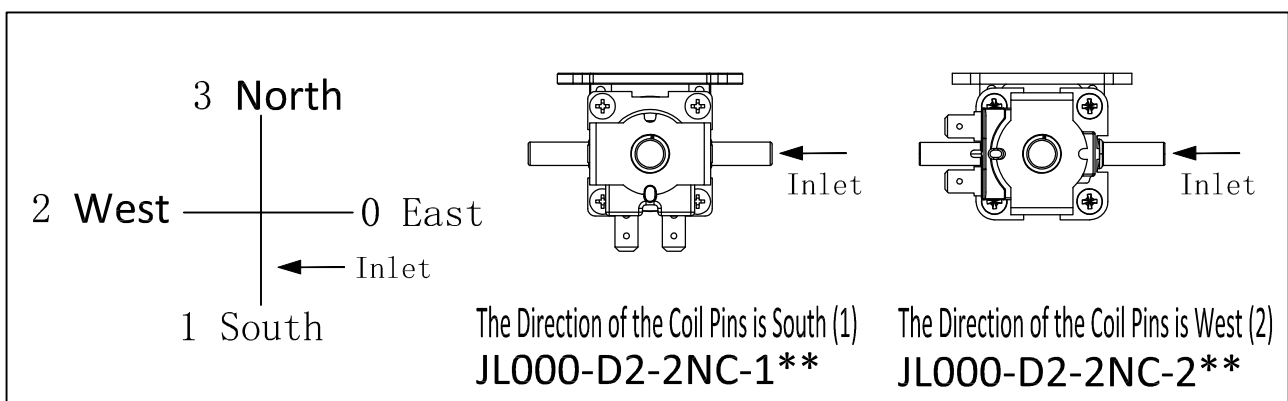
This Code Just Suit for the Products designed by Shanghai Yongxing Electronic Switch Co., Ltd, From 000.0001...

Company products: JL Series

Form 1: The code of Voltage Level

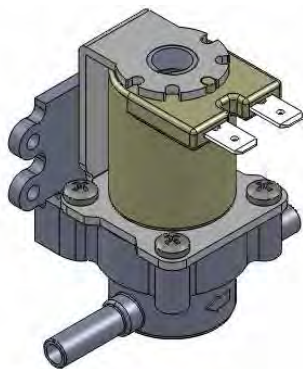
Code	D1	D2	D3	D4	D5	D6	D7	D8	D9
DC	12V	24V	48V	110V	220V	6V	9V	Other	
Code	A1	A2	A3	A4	A5	A6	A7	A8	A9
AC	12V	24V	48V	110V	220V	Other			

Form 2: The Direction of the Coil Pins



e.g.: JL000-D2-2NC-1**

Means: JL Series code is 000, Voltage: DC 24V, 2Ways NC, The Direction of the Coil Pins is South (1)



JL000 Solenoid Valva

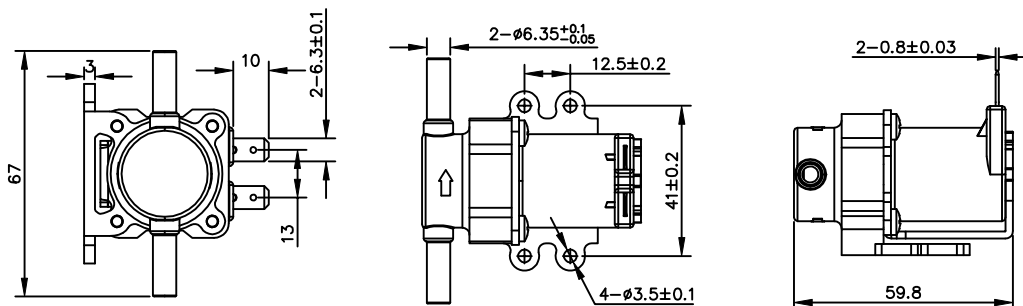
USE:

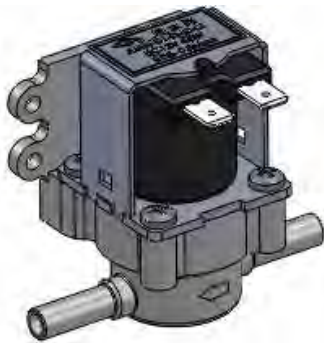
- Water purifier;
- Boiler;
- Washing machine;
- Bidet

SPECIFICATION

Principle	Straight type, Pilot type
Rating voltage	12VDC, 24VDC, 110VAC/50HZ, 200-240VAC/50HZ
Type	Normal close
Medium	(Liquid water);Underground water
Pressure range	0.02-0.8MPa(0.2-8bar)/0.02-1.0MPa(0.2-10bar) (Customizable)
Ambient Temp.	-25~55℃
Max. medium Temp.	90℃
Insulation class	Class "B" (130℃) /"F" (155℃) /"H" (180℃)
Duty cycle	100% at 25℃ (for medium Temp.);Intermittent operation at 90℃ (for medium Temp.)
ROHS/Sanitation grade	Comply with ROHS. Accroding to FDA&drinking water quality for The material of touching the medium
Port size/amounting	G1/4 solenoid connector(G1/4 fast inssert series)
Installation type	Use screw to fix the 4 holes on the back panel
Other	Customizable

DIMENSIONS (mm)





JL000 Solenoid Valva

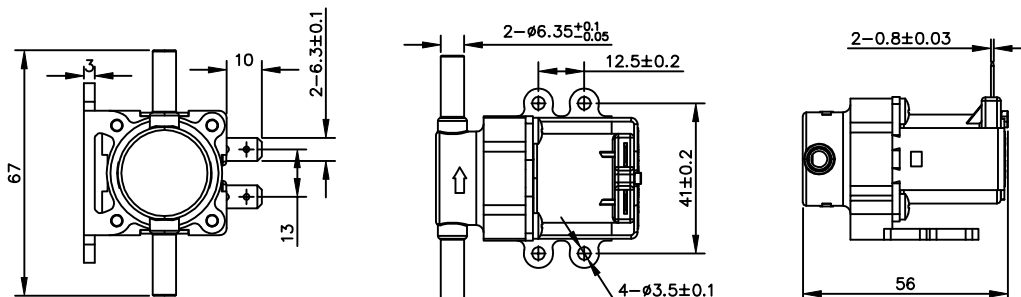
USE:

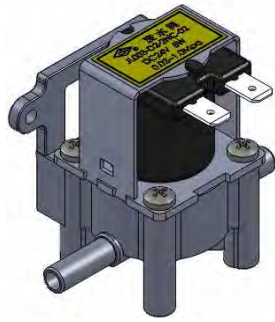
- Water purifier;
- Boiler;
- Washing machine;
- Bidet

SPECIFICATION

Principle	Straight type, Pilot type
Rating voltage	12VDC, 24VDC, 110VAC/50HZ, 200-240VAC/50HZ
Type	Normal close
Medium	(Liquid water);Underground water
Pressure range	0.02-0.8MPa(0.2-8bar)/0.02-1.0MPa(0.2-10bar) (Customizable)
Ambient Temp.	-25~55℃
Max. medium Temp.	90℃
Insulation class	Class "B" (130℃) /"F" (155℃) /"H" (180℃)
Duty cycle	100% at 25℃ (for medium Temp.);Intermittent operation at 90℃ (for medium Temp.)
ROHS/Sanitation grade	Comply with ROHS. Accroding to FDA&drinking water quality for The material of touching the medium
Port size/amounting	G1/4 solenoid connector(G1/4 fast inssert series)
Installation type	Use screw to fix the 4 holes on the back panel
Other	Customizable

DIMENSIONS (mm)





JL000 Wastewater Valve

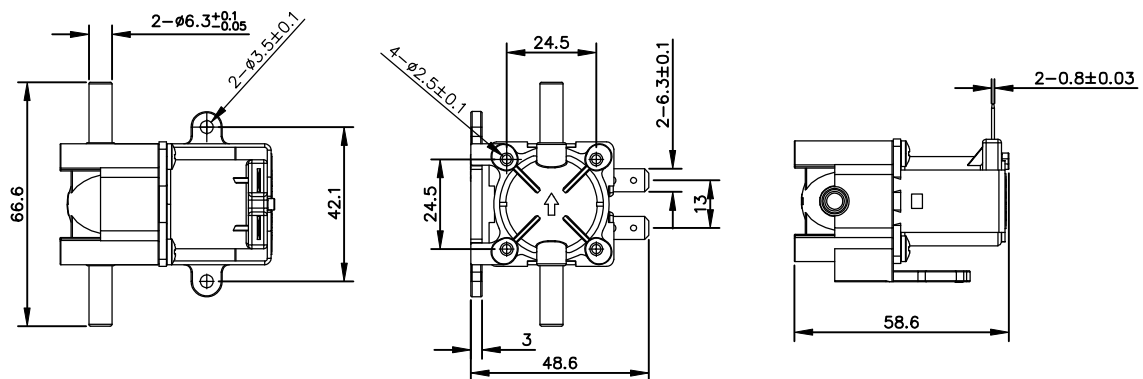
USE:

Water purifier

SPECIFICATION

Principle	Straight type, Pilot type
Rating voltage	12VDC, 24VDC, 110VAC/50HZ, 200-240VAC/50HZ
Type	Normal close
Wastewater flow	420±42ml/Min. (Base on no voltage input and hydraulic pressure 0.42Mpa) (Customizable)
Medium	(Liquid water); (Underground water)
Pressure range	0.02-0.8MPa (0.2-8bar) / 0.02-1.0MPa (0.2-10bar) (Customizable)
Ambient Temp.	-25~55℃
Max. medium Temp.	90℃
Insulation class	Class "B" (130℃) / "F" (155℃) / "H" (180℃)
Duty cycle	100% at 25℃ (for medium Temp); Intermittent operation at 90℃ (for medium Temp.)
ROHS/Sanitation grade	Comply with ROHS. According to FDA & drinking water quality for The material of touching the medium
Port size/amounting	G1/4 solenoid connector (G1/4 fast insert series)
Installation type	Use screw to fix the 2 holes on the back panel or 4 holes on the top panel
Other	Customizable

DIMENSIONS (mm)



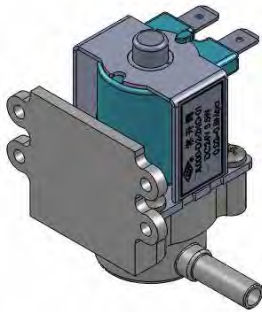


JL series solenoid valve

JL000 Normal Open Valve

USE:

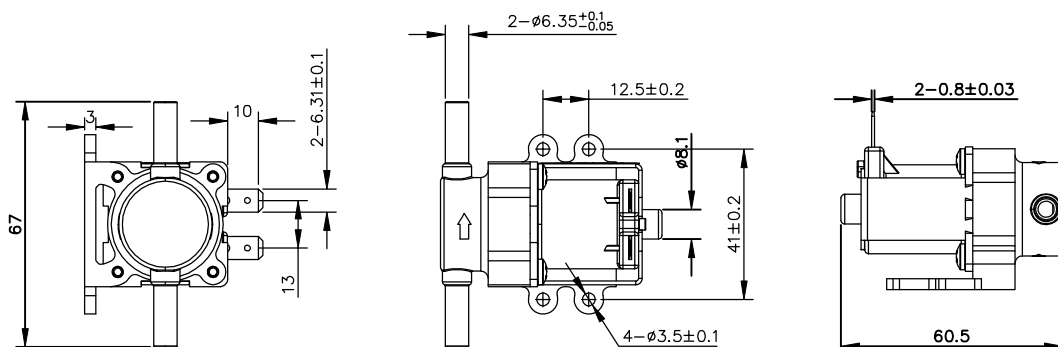
Water purifier;

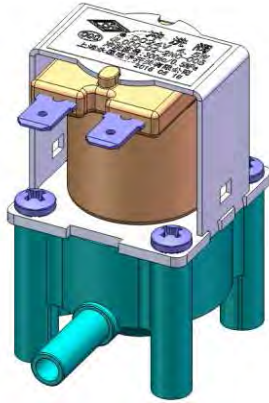


SPECIFICATION

Principle	Pilot type
Rating voltage	12VDC, 24VDC, 110VAC/50HZ, 200-240VAC/50HZ
Type	Normal Open
Medium	(Liquid water); (Underground water)
Pressure range	0.02-0.8MPa (0.2-8bar)
Ambient Temp.	-25~55℃
Max. medium Temp.	90℃
Insulation class	Class "B" (130℃) / "F" (155℃) / "H" (180℃)
Duty cycle	100% at 25℃ (for medium Temp); Intermittent operation at 90℃ (for medium Temp.)
ROHS/Sanitation grade	Comply with ROHS. According to FDA & drinking water quality for the material of touching the medium
Port size/amounting	G1/4 solenoid connector (G1/4 fast insert series)
Installation type	Use screw to fix the 4 holes on the back panel
Other	Customizable

DIMENSIONS (mm)





JL000 Solenoid Valva

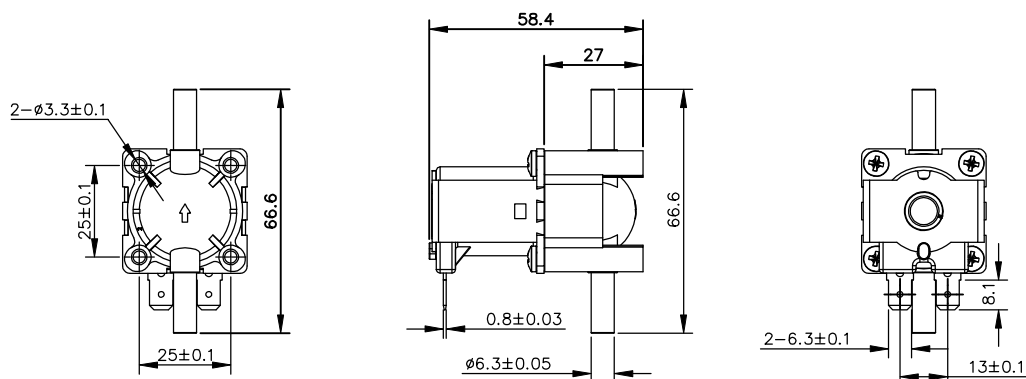
USE:

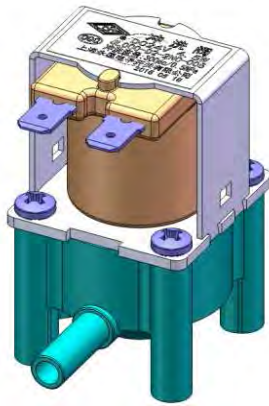
- Water purifier;
- Boiler;
- Washing machine;
- Bidet

SPECIFICATION

Principle	Straight type, Pilot type
Rating voltage	12VDC, 24VDC, 110VAC/50HZ, 200-240VAC/50HZ
Type	Normal close
Medium	(Liquid water); (Underground water)
Pressure range	0.02-0.8MPa (0.2-8bar) / 0.02-1.0MPa (0.2-10bar) (Customizable)
Ambient Temp.	-25~55℃
Max. medium Temp.	90℃
Insulation class	Class "B" (130℃) / "F" (155℃) / "H" (180℃)
Duty cycle	100% at 25℃ (for medium Temp.); Intermittent operation at 90℃ (for medium Temp.)
ROHS/Sanitation grade	Comply with ROHS. According to FDA & drinking water quality for the material of touching the medium
Port size/amounting	G1/4 solenoid connector (G1/4 fast insert series)
Installation type	Use screw to fix the 4 holes on the top panel
Other	Customizable

DIMENSIONS (mm)





JL000 Wastewater Valve

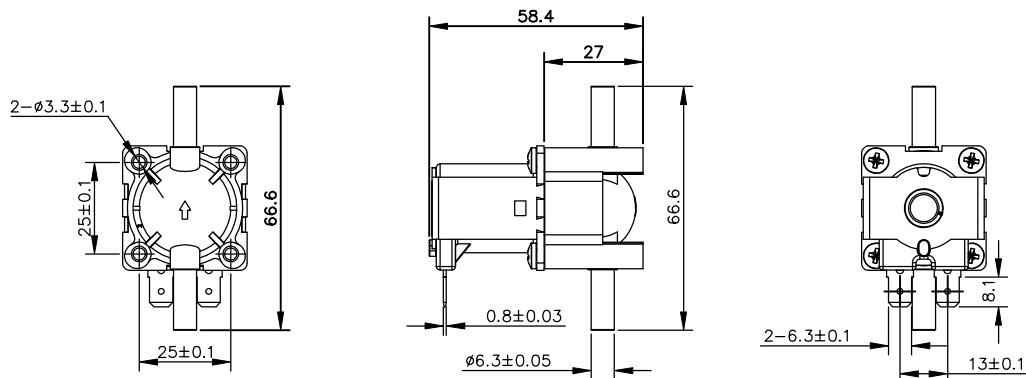
USE:

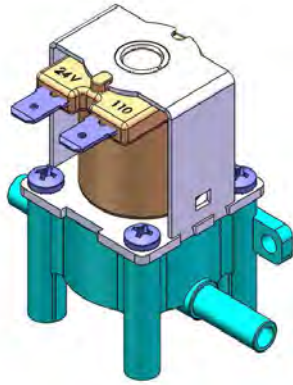
Water purifier

SPECIFICATION

Principle	Straight type, Pilot type
Rating voltage	12VDC, 24VDC, 110VAC/50HZ, 200-240VAC/50HZ
Type	Normal close
Wastewater flow	420±42ml/Min. (Base on no voltage input and hydraulic pressure 0.42Mpa) (Customizable)
Medium	Liquid water; (Underground water)
Pressure range	0.02-0.8MPa (0.2-8bar) / 0.02-1.0MPa (0.2-10bar) (Customizable)
Ambient Temp.	-25~55℃
Max. medium Temp.	90℃
Insulation class	Class "B" (130℃) / "F" (155℃) / "H" (180℃)
Duty cycle	100% at 25℃ (for medium Temp); Intermittent operation at 90℃ (for medium Temp.)
ROHS/Sanitation grade	Comply with ROHS. According to FDA & drinking water quality for the material of touching the medium
Port size/amounting	G1/4 solenoid connector (G1/4 fast insert series)
Installation type	Use screw to fix the 4 holes on the top panel
Other	Customizable

DIMENSIONS (mm)





JL000 Solenoid Valva

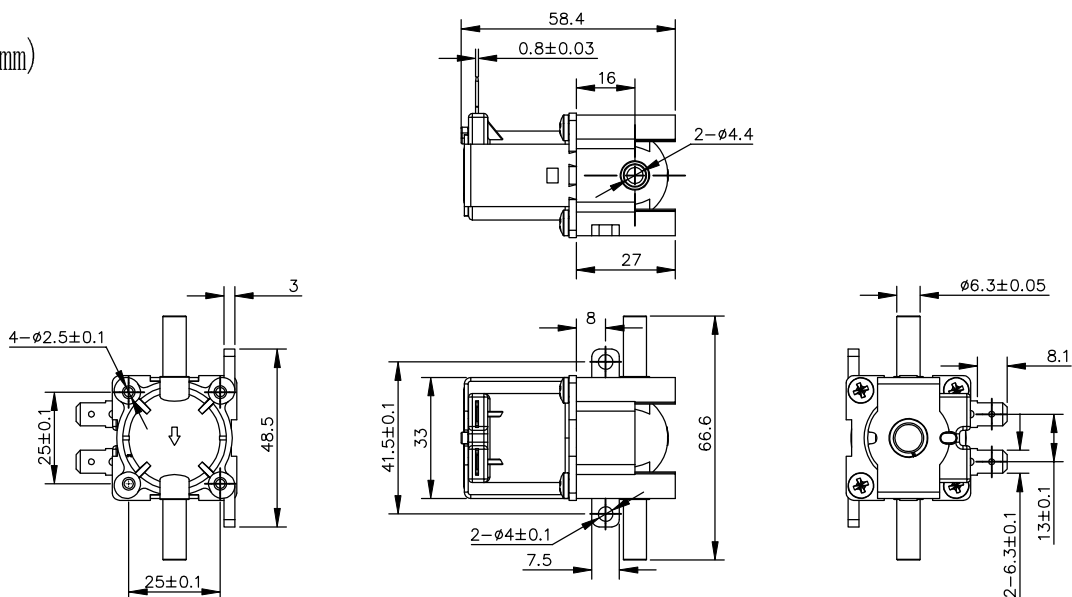
USE:

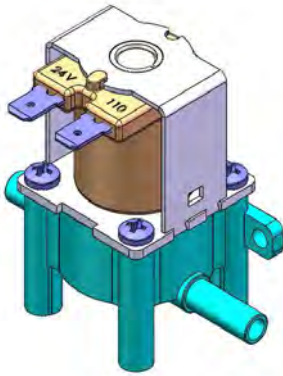
- Water purifier;
- Boiler;
- Washing machine;
- Bidet

SPECIFICATION

Principle	Straight type, Pilot type
Rating voltage	12VDC, 24VDC, 110VAC/50HZ, 200-240VAC/50HZ
Type	Normal close
Medium	Liquid water; (Underground water)
Pressure range	0.02-0.8MPa (0.2-8bar) / 0.02-1.0MPa (0.2-10bar) (Customizable)
Ambient Temp.	-25~55℃
Max. medium Temp.	90℃
Insulation class	Class "B" (130℃) / "F" (155℃) / "H" (180℃)
Duty cycle	100% at 25℃ (for medium Temp.); Intermittent operation at 90℃ (for medium Temp.)
ROHS/Sanitation grade	Comply with ROHS. According to FDA & drinking water quality for the material of touching the medium
Port size/amounting	G1/4 solenoid connector (G1/4 fast insert series)
Installation type	Use screw to fix the 2 holes on the back panel or 4 holes on the top panel
Other	Customizable

DIMENSIONS (mm)





JL000 Wastewater Valve

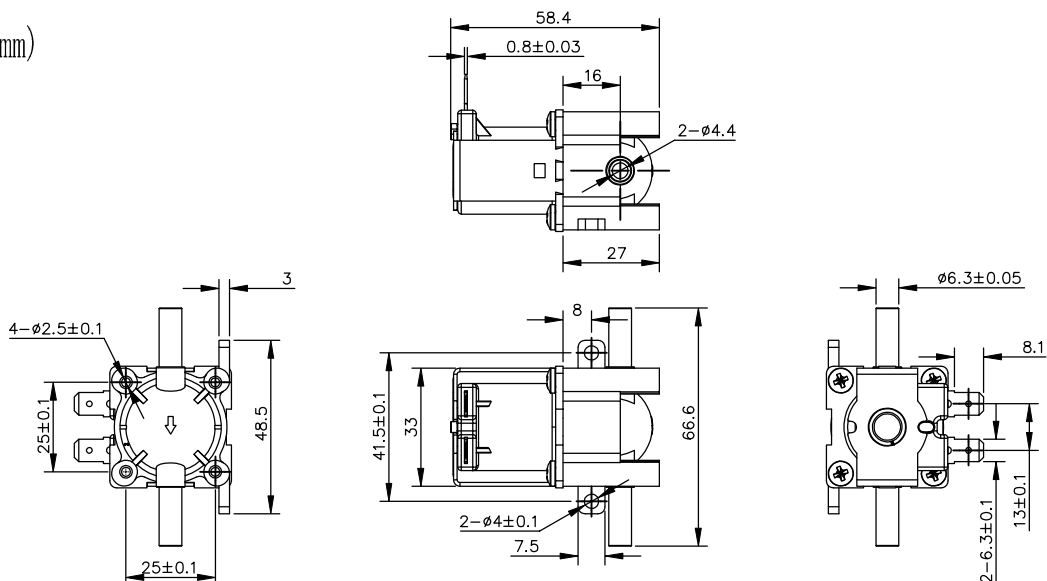
USE:

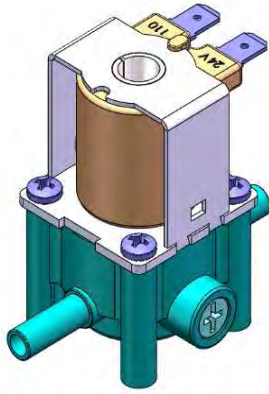
Water purifier

SPECIFICATION

Principle	Straight type, Pilot type
Rating voltage	12VDC, 24VDC, 110VAC/50HZ, 200-240VAC/50HZ
Type	Normal close
Wastewater flow	420±42ml/Min. (Base on no voltage input and hydraulic pressure 0.42Mpa) (Customizable)
Medium	Liquid water; (Underground water)
Pressure range	0.02-0.8MPa (0.2-8bar) / 0.02-1.0MPa (0.2-10bar) (Customizable)
Ambient Temp.	-25~55℃
Max. medium Temp.	90℃
Insulation class	Class "B" (130℃) / "F" (155℃) / "H" (180℃)
Duty cycle	100% at 25℃ (for medium Temp); Intermittent operation at 90℃ (for medium Temp.)
ROHS/Sanitation grade	Comply with ROHS. According to FDA & drinking water quality for The material of touching the medium
Port size/amounting	G1/4 solenoid connector (G1/4 fast insert series)
Installation type	Use screw to fix the 2 holes on the back panel or 4 holes on the top panel
Other	Customizable

DIMENSIONS (mm)





JL000 Wastewater Low-noise solenoid valve

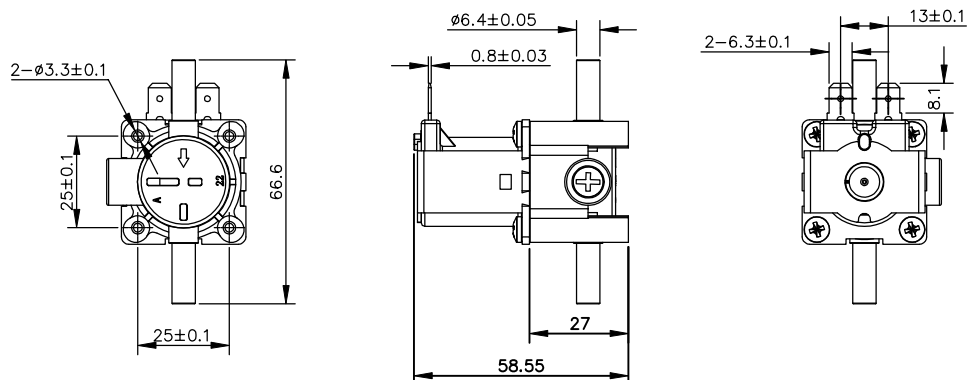
USE:

Water purifier

SPECIFICATION

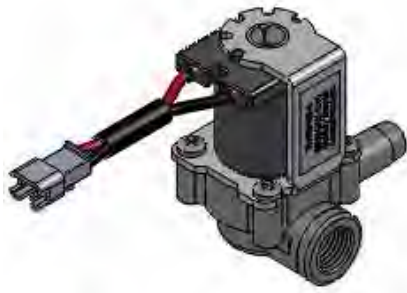
Principle	Straight type, Pilot type
Rating voltage	12VDC, 24VDC, 110VAC/50HZ, 200-240VAC/50HZ
Type	Normal close
Wastewater flow	420±42ml/Min. (Base on no voltage input and hydraulic pressure 0.42Mpa) (Customizable)
Medium	Liquid water; (Underground water)
Pressure range	0.02-0.8MPa (0.2-8bar) / 0.02-1.0MPa (0.2-10bar) (Customizable)
Ambient Temp.	-25~55℃
Max. medium Temp.	90℃
Insulation class	Class "B" (130℃) / "F" (155℃) / "H" (180℃)
Duty cycle	100% at 25℃ (for medium Temp); Intermittent operation at 90℃ (for medium Temp.)
ROHS/Sanitation grade	Comply with ROHS. According to FDA & drinking water quality for The material of touching the medium
Port size/amounting	G1/4 solenoid connector (G1/4 fast insert series)
Installation type	Use screw to fix the 4 holes on the top panel
Other	Customizable

DIMENSIONS (mm)





JL002 Valve



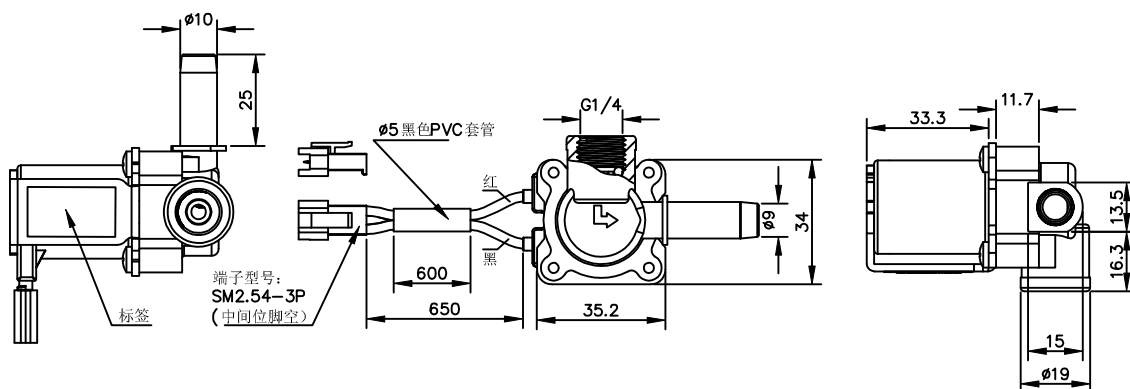
USE:

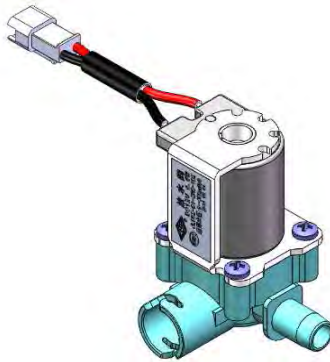
Air-condition;
Water purifier;
Coffee machine;
Juice machine

SPECIFICATION

Principle	Straight type, Pilot type
Rating voltage	12VDC, 24VDC, 110VAC/50HZ, 200-240VAC/50HZ
Type	Normal close
Medium	Liquid water; (Underground water); (Juice)
Pressure range	M. O. P. D:1200mmH ₂ O (0-0.012Mpa) (Straight type); 0.02-0.8MPa (0.2-8bar) (Pilot type)
Ambient Temp.	-25~55℃
Max. medium Temp.	60℃
Insulation class	Class "B" (130℃) / "F" (155℃) / "H" (180℃)
Duty cycle	100% at 25℃ (for medium Temp); Intermittent operation at 60℃ (for medium Temp.)
ROHS/Sanitation grade	Comply with ROHS. According to FDA & drinking water quality for the material of touching the medium
Other	Customizable

DIMENSIONS (mm)





JL002 Valve

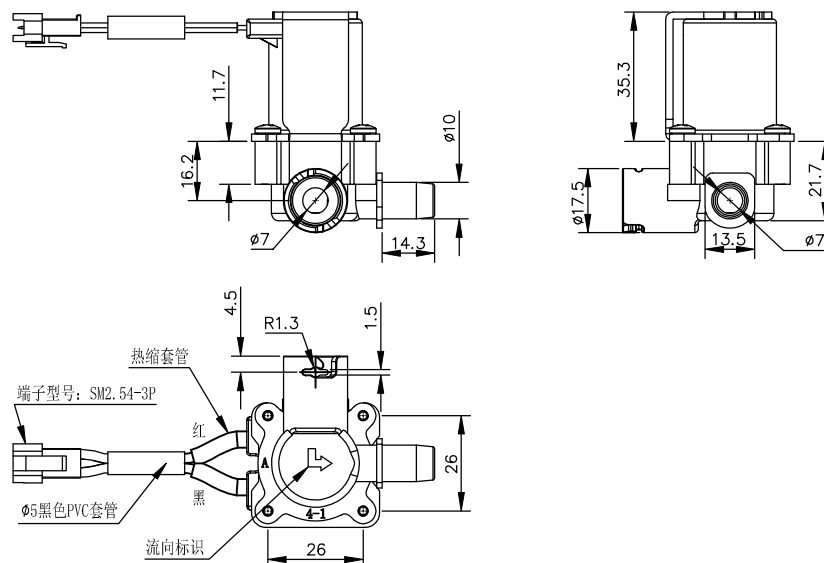
USE:

Air -condition;
Water purifier;
Coffee machine;
Juice machine

SPECIFICATION

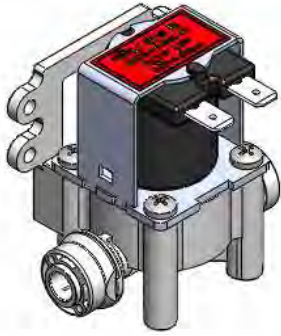
Principle	Straight type, Pilot type
Rating voltage	12VDC, 24VDC, 110VAC/50HZ, 200-240VAC/50HZ
Type	Normal close
Medium	Liquid water; (Underground water); (Juice)
Pressure range	M. O. P. D:1200mmH ₂ O (0-0.012Mpa) (Straight type); 0.02-0.8MPa (0.2-8bar) (Pilot type)
Ambient Temp.	-25~55℃
Max. medium Temp.	60℃
Insulation class	Class "B" (130℃) / "F" (155℃) / "H" (180℃)
Duty cycle	100% at 25℃ (for medium Temp); Intermittent operation at 60℃ (for medium Temp.)
ROHS/Sanitation grade	Comply with ROHS. According to FDA & drinking water quality for the material of touching the medium
Other	Customizable

DIMENSIONS (mm)





JL003 Solenoid Valve



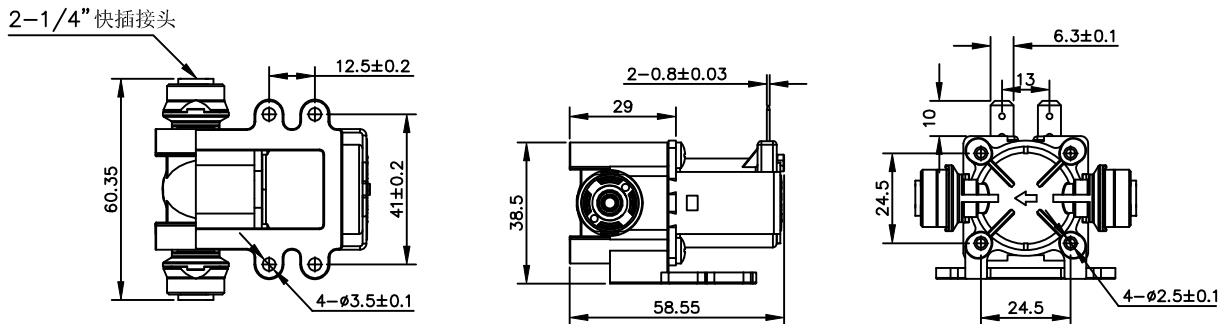
USE:

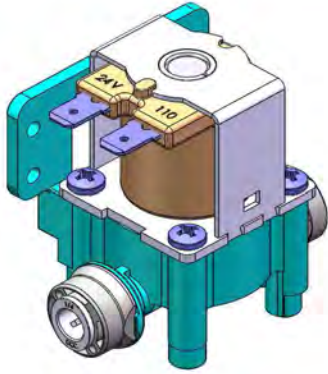
- Water purifier;
- Boiler;
- Washing machine;
- Bidet

SPECIFICATION

Principle	Straight type, Pilot type
Rating voltage	12VDC, 24VDC, 110VAC/50HZ, 200-240VAC/50HZ
Type	Normal close/Normal Open
Medium	Liquid water; (Underground water)
Pressure range	0.02-0.8MPa (0.2-8bar) / 0.02-1.0MPa (0.2-10bar) (Customizable)
Ambient Temp.	-25~55℃
Max. medium Temp.	90℃
Insulation class	Class "B" (130℃) / "F" (155℃) / "H" (180℃)
Duty cycle	100% at 25℃ (for medium Temp); Intermittent operation at 90℃ (for medium Temp.)
ROHS/Sanitation grade	Comply with ROHS. According to FDA & drinking water quality for the material of touching the medium
Port size/amounting	G1/4 quick connector
Installation type	Use screw to fix the 4 holes on the back panel or top panel.
Other	Customizable

DIMENSIONS (mm)





JL003 Solenoid Valve

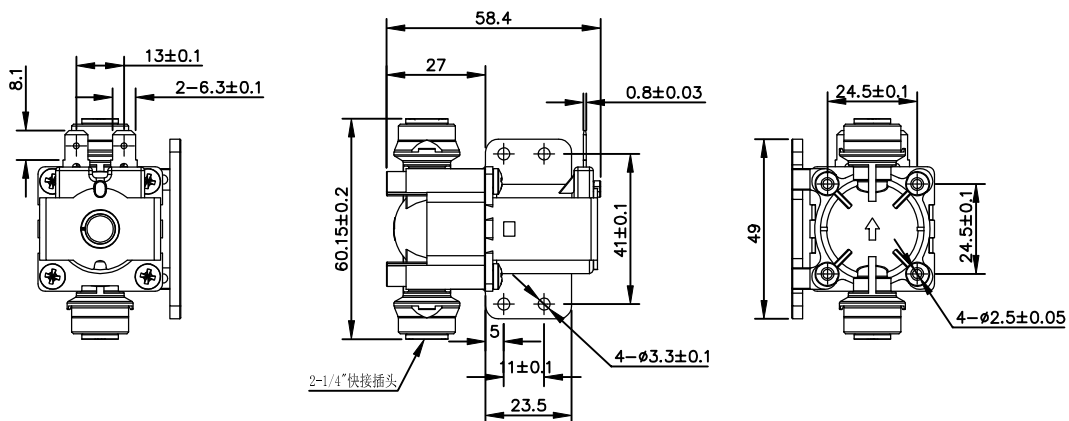
USE:

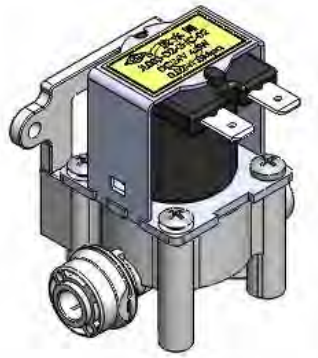
- Water purifier;
- Boiler;
- Washing machine;
- Bidet

SPECIFICATION

Principle	Straight type, Pilot type
Rating voltage	12VDC, 24VDC, 110VAC/50HZ, 200-240VAC/50HZ
Type	Normal close/Normal Open
Medium	Liquid water; (Underground water)
Pressure range	0.02-0.8MPa (0.2-8bar) / 0.02-1.0MPa (0.2-10bar) (Customizable)
Ambient Temp.	-25~55℃
Max. medium Temp.	90℃
Insulation class	Class "B" (130℃) / "F" (155℃) / "H" (180℃)
Duty cycle	100% at 25℃ (for medium Temp); Intermittent operation at 90℃ (for medium Temp.)
ROHS/Sanitation grade	Comply with ROHS. According to FDA & drinking water quality for the material of touching the medium
Port size/amounting	G1/4 quick connector
Installation type	Use screw to fix the 4 holes on the back panel or top panel.
Other	Customizable

DIMENSIONS (mm)





JL003 Wastewater Valve

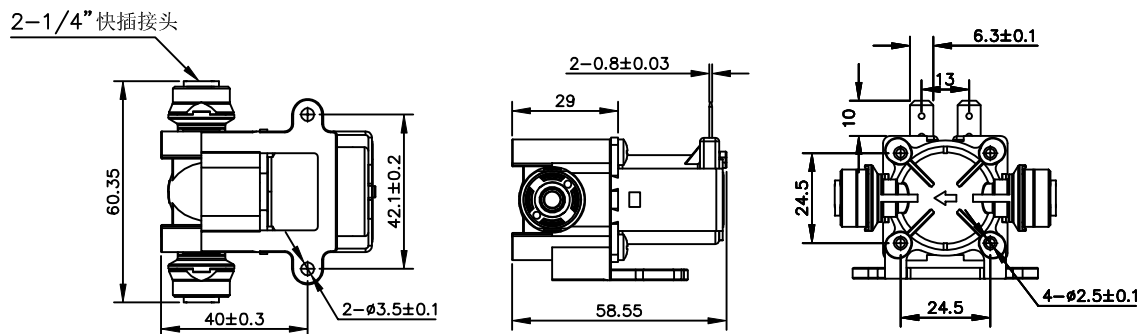
USE:

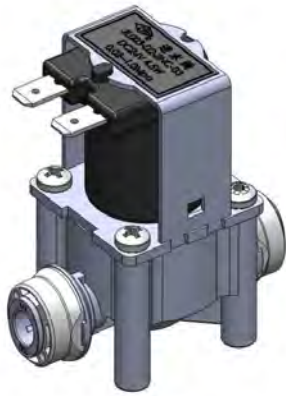
Water purifier

SPECIFICATION

Principle	Straight type, Pilot type
Rating voltage	12VDC, 24VDC, 110VAC/50HZ, 200-240VAC/50HZ
Type	Normal close
Wastewater flow	420±42ml/Min. (Base on no voltage input andhydraulic pressure 0.42Mpa) (Customizable)
Medium	Liquid water; (Underground water)
Pressure range	0.02-0.8MPa (0.2-8bar) /0.02-1.0MPa (0.2-10bar) (Customizable)
Ambient Temp.	-25~55℃
Max. medium Temp.	90℃
Insulation class	Class "B" (130℃) /"F" (155℃) /"H" (180℃)
Duty cycle	100% at 25℃ (for medium Temp.); Intermittent operation at 90℃ (for medium Temp.)
ROHS/Sanitation grade	Comply with ROHS. Accroding to FDA&drinking water quality for The material of touching the medium
Port size/amounting	G1/4 quick connector
Installation type	Use screw to fix the 2 holes on the back panel or 4 holes on the top panel
Other	Customizable

DIMENSIONS (mm)





JL003 Solenoid Valve

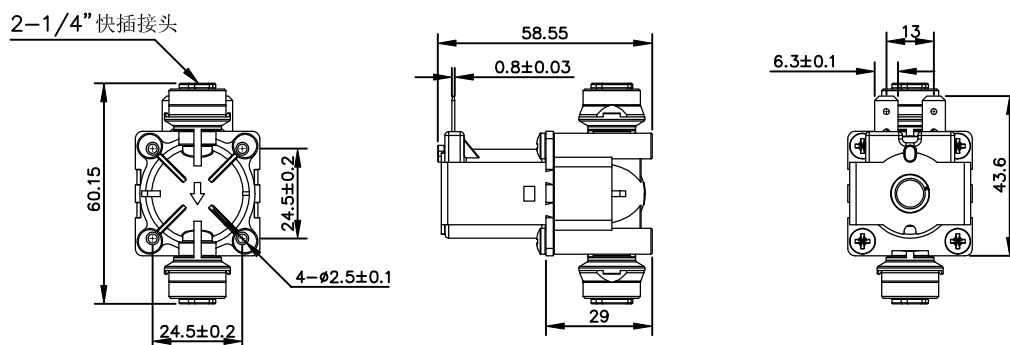
USE:

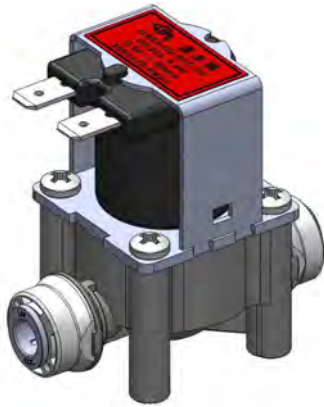
Water purifier;
Boiler;
Washing machine;
Bidet

SPECIFICATION

Principle	Straight type, Pilot type
Rating voltage	12VDC, 24VDC, 110VAC/50HZ, 200-240VAC/50HZ
Type	Normal close
Medium	Liquid water; (Underground water)
Pressure range	0.02-0.8MPa (0.2-8bar) / 0.02-1.0MPa (0.2-10bar) (Customizable)
Ambient Temp.	-25~55°C
Max. medium Temp.	90°C
Insulation class	Class "B" (130°C) / "F" (155°C) / "H" (180°C)
Duty cycle	100% at 25°C (for medium Temp); Intermittent operation at 90°C (for medium Temp.)
ROHS/Sanitation grade	Comply with ROHS. According to FDA & drinking water quality for the material of touching the medium
Port size/amounting	G1/4 quick connector
Installation type	Use screw to fix the 4 holes on the top panel
Other	Customizable

DIMENSIONS (mm)





JL003 Wastewater Valve

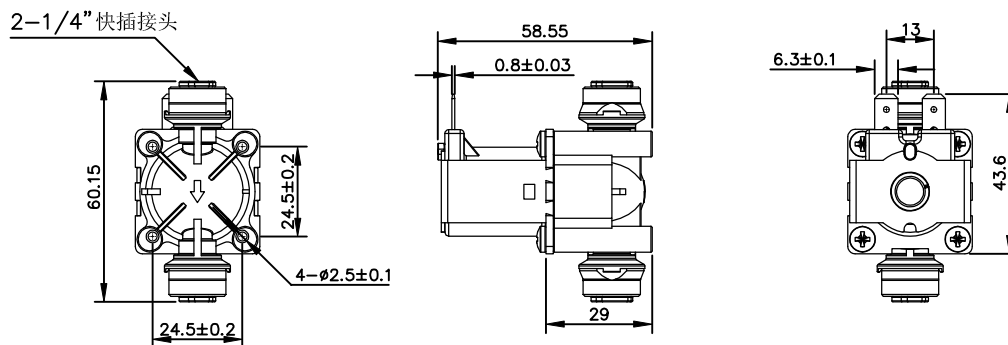
USE:

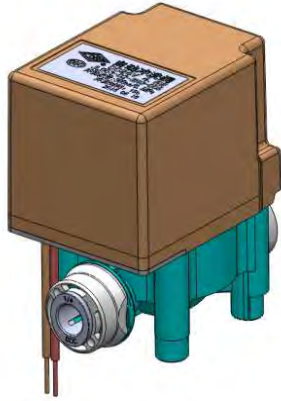
Water purifier

SPECIFICATION

Principle	Straight type, Pilot type
Rating voltage	12VDC, 24VDC, 110VAC/50HZ, 200-240VAC/50HZ
Type	Normal close
Wastewater flow	420±42ml/Min. (Base on no voltage input and hydraulic pressure 0.42Mpa) (Customizable)
Medium	Liquid water; (Underground water)
Pressure range	0.02-0.8MPa (0.2-8bar) / 0.02-1.0MPa (0.2-10bar) (Customizable)
Ambient Temp.	-25~55℃
Max. medium Temp.	90℃
Insulation class	Class "B" (130℃) / "F" (155℃) / "H" (180℃)
Duty cycle	100% at 25℃ (for medium Temp); Intermittent operation at 90℃ (for medium Temp.)
ROHS/Sanitation grade	Comply with ROHS. According to FDA & drinking water quality for The material of touching the medium
Port size/amounting	G1/4 quick connector
Installation type	Use screw to fix the 4 holes on the top panel
Other	Customizable

DIMENSIONS (mm)





JL003 Wastewater Valve

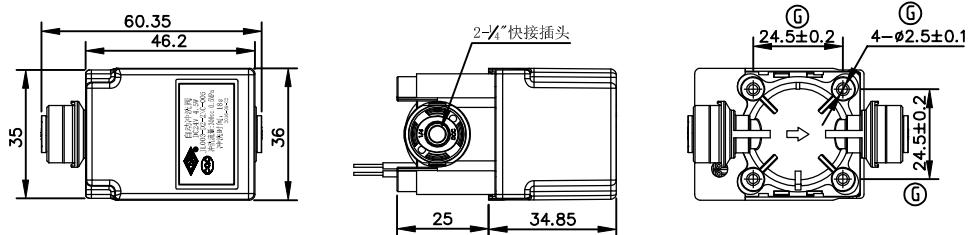
USE:

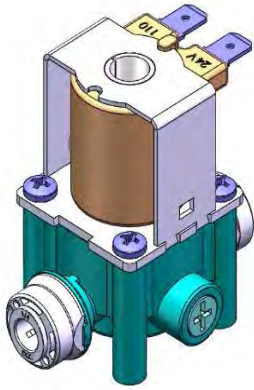
Water purifier

SPECIFICATION

Principle	Straight type, Pilot type
Rating voltage	12VDC, 24VDC, 110VAC/50HZ, 200-240VAC/50HZ
Type	Normal close
Wastewater flow	420±42ml/Min. (Base on no voltage input andhydraulic pressure 0.42Mpa) (Customizable)
Medium	Liquid water; (Underground water)
Pressure range	0.02-0.8MPa (0.2-8bar) /0.02-1.0MPa (0.2-10bar) (Customizable)
Ambient Temp.	-25~55℃
Max. medium Temp.	90℃
Insulation class	Class "B" (130℃) /"F" (155℃) /"H" (180℃)
Duty cycle	100% at 25℃ (for medium Temp); Intermittent operation at 90℃ (for medium Temp.)
ROHS/Sanitation grade	Comply with ROHS. Accroding to FDA&drinking water quality for The material of touching the medium
Port size/amounting	G1/4 quick connector
Installation type	Use screw to fix the 4 holes on the top panel
Other	Customizable

DIMENSIONS (mm)





JL003 Wastewater Low-noise solenoid valve

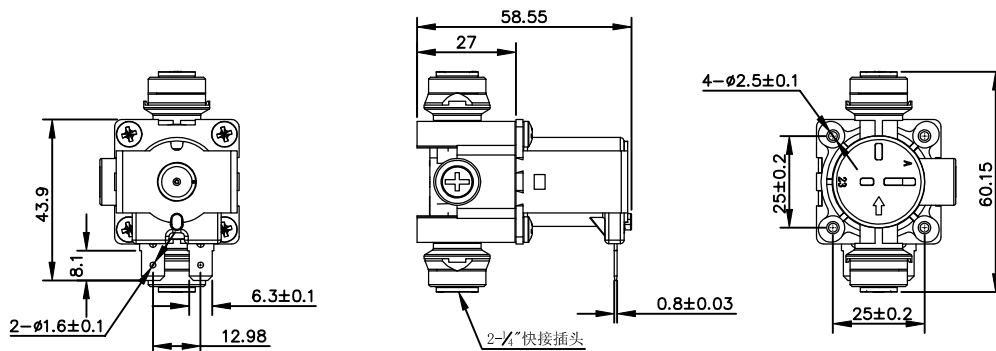
USE:

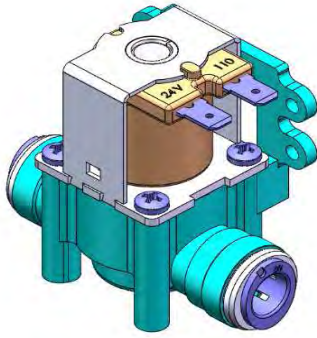
Water purifier

SPECIFICATION

Principle	Straight type, Pilot type
Rating voltage	12VDC, 24VDC, 110VAC/50HZ, 200-240VAC/50HZ
Type	Normal close
Wastewater flow	420±42ml/Min. (Base on no voltage input andhydraulic pressure 0.42Mpa) (Customizable)
Medium	Liquid water; (Underground water)
Pressure range	0.02-0.8MPa(0.2-8bar)/0.02-1.0MPa(0.2-10bar) (Customizable)
Ambient Temp.	-25~55℃
Max. medium Temp.	90℃
Insulation class	Class "B" (130℃) /"F" (155℃) /"H" (180℃)
Duty cycle	100% at 25℃ (for medium Temp.); Intermittent operation at 90℃ (for medium Temp.)
ROHS/Sanitation grade	Comply with ROHS. Accroding to FDA&drinking water quality for The material of touching the medium
Port size/amounting	G1/4 quick connector
Installation type	Use screw to fix the 4 holes on the top panel
Other	Customizable

DIMENSIONS (mm)





JL003 Solenoid Valve

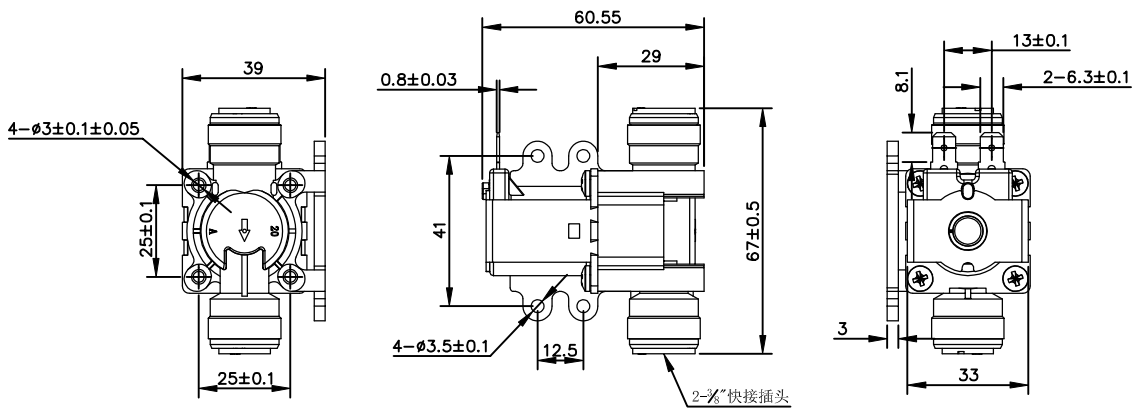
USE:

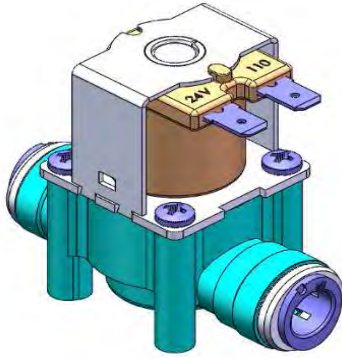
- Water purifier;
- Boiler;
- Washing machine;
- Bidet

SPECIFICATION

Principle	Straight type, Pilot type
Rating voltage	12VDC, 24VDC, 110VAC/50HZ, 200-240VAC/50HZ
Type	Normal close
Medium	Liquid water; (Underground water)
Pressure range	0.02-0.8MPa (0.2-8bar) / 0.02-1.0MPa (0.2-10bar) (Customizable)
Ambient Temp.	-25~55℃
Max. medium Temp.	90℃
Insulation class	Class "B" (130℃) / "F" (155℃) / "H" (180℃)
Duty cycle	100% at 25℃ (for medium Temp); Intermittent operation at 90℃ (for medium Temp.)
ROHS/Sanitation grade	Comply with ROHS. According to FDA & drinking water quality for the material of touching the medium
Port size/amounting	G3/8 quick connector
Installation type	Use screw to fix the 4 holes on the back pane or top panel.
Other	Customizable

DIMENSIONS (mm)





JL003 Solenoid Valve

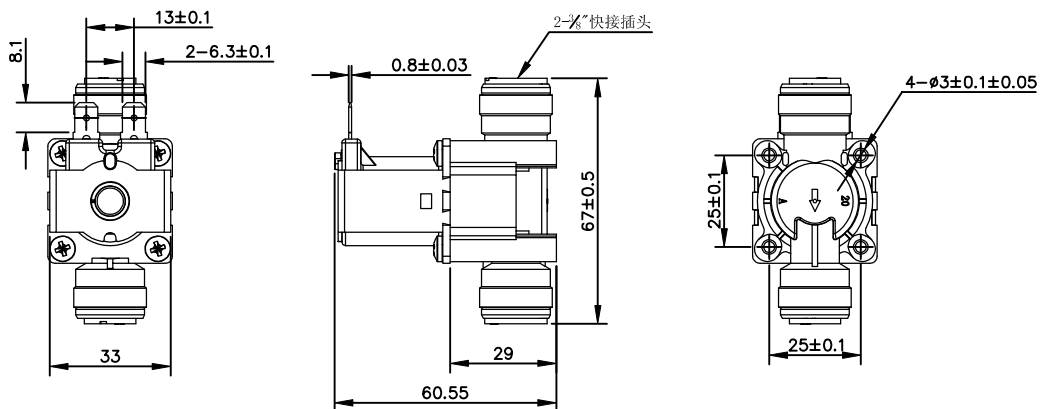
USE:

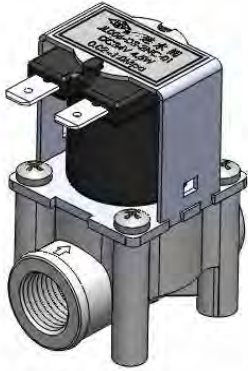
- Water purifier;
- Boiler;
- Washing machine;
- Bidet

SPECIFICATION

Principle	Straight type, Pilot type
Rating voltage	12VDC, 24VDC, 110VAC/50HZ, 200-240VAC/50HZ
Type	Normal close
Medium	Liquid water; (Underground water)
Pressure range	0.02-0.8MPa (0.2-8bar) / 0.02-1.0MPa (0.2-10bar) (Customizable)
Ambient Temp.	-25~55℃
Max. medium Temp.	90℃
Insulation class	Class "B" (130℃) / "F" (155℃) / "H" (180℃)
Duty cycle	100% at 25℃ (for medium Temp); Intermittent operation at 90℃ (for medium Temp.)
ROHS/Sanitation grade	Comply with ROHS. According to FDA & drinking water quality for the material of touching the medium
Port size/amounting	G3/8 quick connector
Installation type	Use screw to fix the 4 holes on the top panel
Other	Customizable

DIMENSIONS (mm)





JL006 G1/4 Solenoid Valve

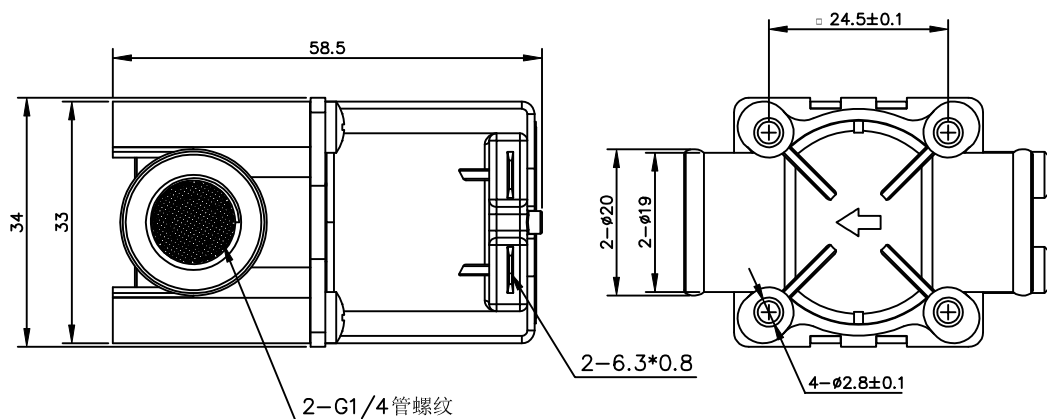
USE:

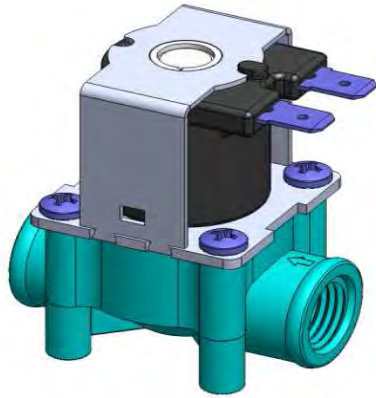
- Water purifier;
- Boiler;
- Washing machine;
- Bidet

SPECIFICATION

Principle	Straight type, Pilot type
Rating voltage	12VDC, 24VDC, 110VAC/50HZ, 200-240VAC/50HZ
Type	Normal close
Pressure range	0.02-0.8MPa(0.2-8bar) / 0.02-1.0MPa(0.2-10bar) (Customizable)
Medium	Liquid water; (Underground water)
Pressure range	0.02-0.8MPa(0.2-8bar)
Ambient Temp.	-25~55°
Max. medium Temp.	90°C
Insulation class	Class "B" (130°C) / "F" (155°C) / "H" (180°C)
Duty cycle	100% at 25°C (for medium Temp); Intermittent operation at 90°C (for medium Temp.)
ROHS/Sanitation grade	Comply with ROHS. According to FDA & drinking water quality for The material of touching the medium
Port size/amounting	G1/4 solenoid connector
Installation type	Use screw to fix the 4 holes on the top panel
Other	Customizable

DIMENSIONS (mm)





JL006 G1/4 Wastewater Valve

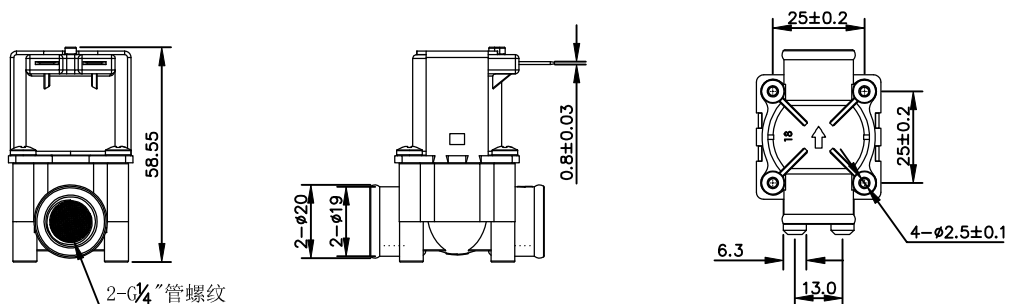
USE:

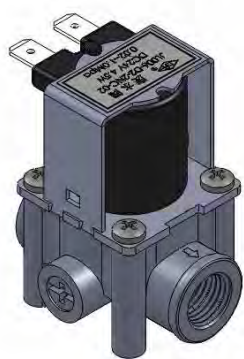
Water purifier;

SPECIFICATION

Principle	Straight type, Pilot type
Rating voltage	12VDC, 24VDC, 110VAC/50HZ, 200-240VAC/50HZ
Type	Normal close
Wastewater flow	300±30ml/Min. (Base on no voltage input and hydraulic pressure 0.5Mpa) (Customizable)
Medium	Liquid water; (Underground water)
Pressure range	0.02-0.8MPa (0.2-8bar)
Ambient Temp.	-25~55℃
Max. medium Temp.	90℃
Insulation class	Class "B" (130℃) / "F" (155℃) / "H" (180℃)
Duty cycle	100% at 25℃ (for medium Temp); Intermittent operation at 90℃ (for medium Temp.)
ROHS/Sanitation grade	Comply with ROHS. According to FDA & drinking water quality for The material of touching the medium
Port size/amounting	G1/4 solenoid connector
Installation type	Use screw to fix the 4 holes on the top panel
Other	Customizable

DIMENSIONS (mm)





JL006 G1/4 Wastewater Valve

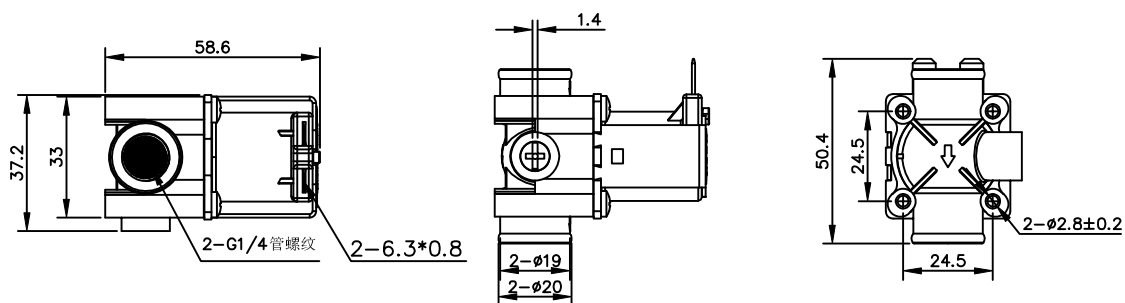
USE:

Water purifier;

SPECIFICATION

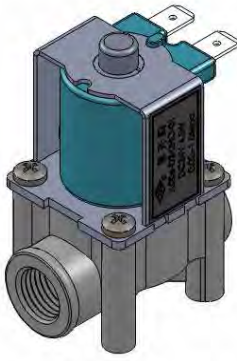
Principle	Straight type, Pilot type
Rating voltage	12VDC, 24VDC, 110VAC/50HZ, 200-240VAC/50HZ
Type	Normal close
Wastewater flow	300±30ml/Min. (Base on no voltage input and hydraulic pressure 0.5Mpa) (Customizable)
Medium	Liquid water; (Underground water)
Pressure range	0.02-0.8MPa (0.2-8bar)
Ambient Temp.	-25~55℃
Max. medium Temp.	90℃
Insulation class	Class "B" (130℃) / "F" (155℃) / "H" (180℃)
Duty cycle	100% at 25℃ (for medium Temp); Intermittent operation at 90℃ (for medium Temp.)
ROHS/Sanitation grade	Comply with ROHS. According to FDA & drinking water quality for The material of touching the medium
Port size/amounting	G1/4 solenoid connector
Installation type	Use screw to fix the 4 holes on the top panel
Other	Customizable

DIMENSIONS (mm)





JL series solenoid valve



JL006 G1/4 Normal Open Valve

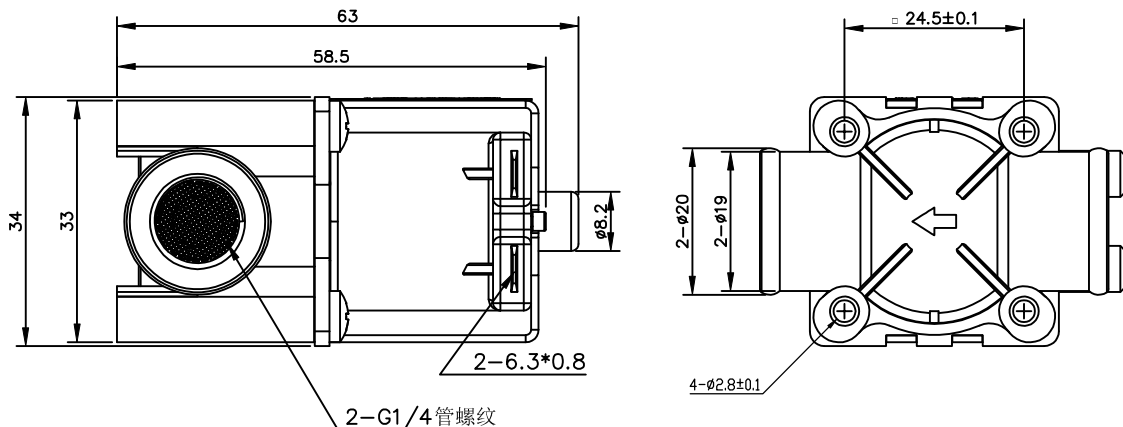
USE:

- Water purifier;
- Boiler;
- Washing machine;
- Bidet

SPECIFICATION

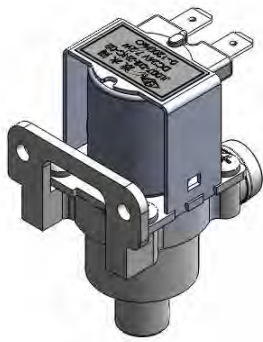
Principle	Pilot type
Rating voltage	12VDC, 24VDC, 110VAC/50HZ, 200-240VAC/50HZ
Type	Normal Open
Medium	Liquid water; (Underground water)
Pressure range	0.02-0.8MPa (0.2-8bar) / 0.02-1.0MPa (0.2-10bar) (Customizable)
Ambient Temp.	-25~55℃
Max. medium Temp.	90℃
Insulation class	Class "B" (130℃) / "F" (155℃) / "H" (180℃)
Duty cycle	100% at 25℃ (for medium Temp.); Intermittent operation at 90℃ (for medium Temp.)
ROHS/Sanitation grade	Comply with ROHS. According to FDA & drinking water quality for the material of touching the medium
Port size/amounting	G1/4 solenoid connector
Installation type	Use screw to fix the 4 holes on the top panel
Other	Customizable

DIMENSIONS (mm)





JL007 Solenoid Valve



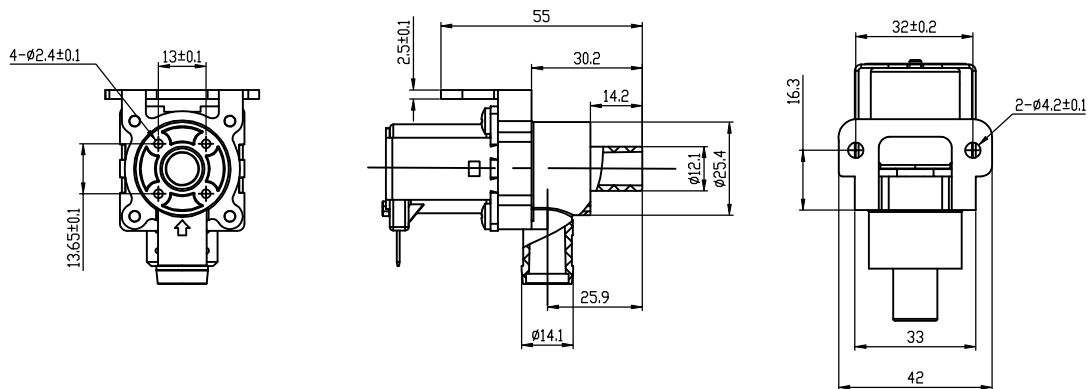
USE:

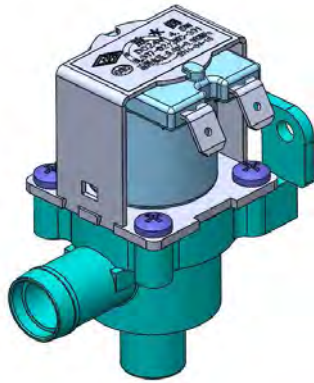
- Air-condition;
- Water purifier;
- Coffee machine;
- Juice machine

SPECIFICATION

Principle	Straight type
Rating voltage	12VDC, 24VDC
Type	Normal close
Medium	Liquid water; (Underground water); (Juice)
Pressure range	M. O. P. D: 300mmH ₂ O (0--0.003Mpa) (Straight type)
Ambient Temp.	-25~55℃
Max. medium Temp.	90℃
Insulation class	Class "B" (130℃) / "F" (155℃) / "H" (180℃)
Duty cycle	100% at 25℃ (for medium Temp); Intermittent operation at 90℃ (for medium Temp.)
ROHS/Sanitation grade	Comply with ROHS. According to FDA & drinking water quality for the material of touching the medium
Port size/amounting	Hose connection
Installation type	Use screw to fix the 2 holes on the back panel
Other	Customizable

DIMENSIONS (mm)





JL007 Solenoid Valve

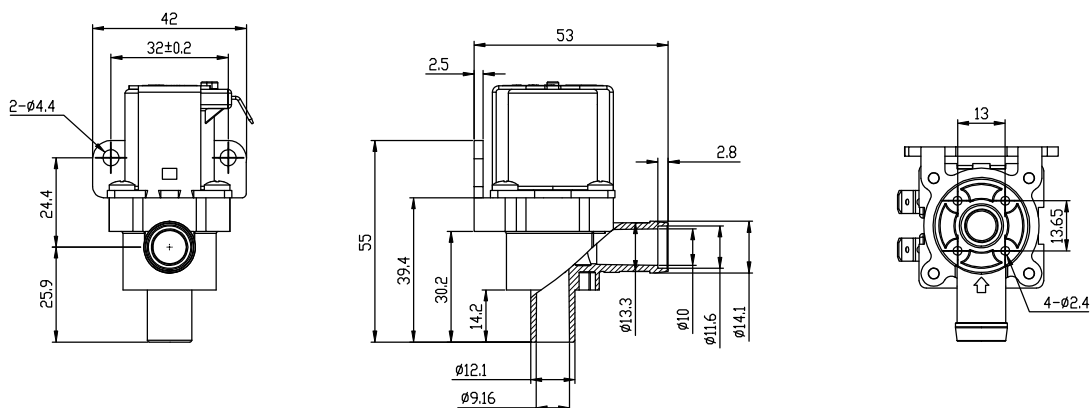
USE:

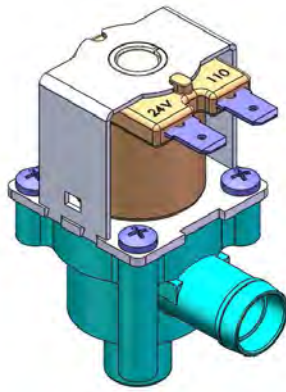
- Air-condition;
- Water purifier;
- Coffee machine;
- Juice machine

SPECIFICATION

Principle	Straight type
Rating voltage	12VDC, 24VDC
Type	Normal close
Medium	Liquid water; (Underground water); (Juice)
Pressure range	M. O. P. D: 300mmH ₂ O (0--0.003Mpa) (Straight type)
Ambient Temp.	-25~55℃
Max. medium Temp.	90℃
Insulation class	Class "B" (130℃) / "F" (155℃) / "H" (180℃)
Duty cycle	100% at 25℃ (for medium Temp.); Intermittent operation at 90℃ (for medium Temp.)
ROHS/Sanitation grade	Comply with ROHS. According to FDA & drinking water quality for the material of touching the medium
Port size/amounting	Hose connection
Installation type	Use screw to fix the 2 holes on the back panel
Other	Customizable

DIMENSIONS (mm)





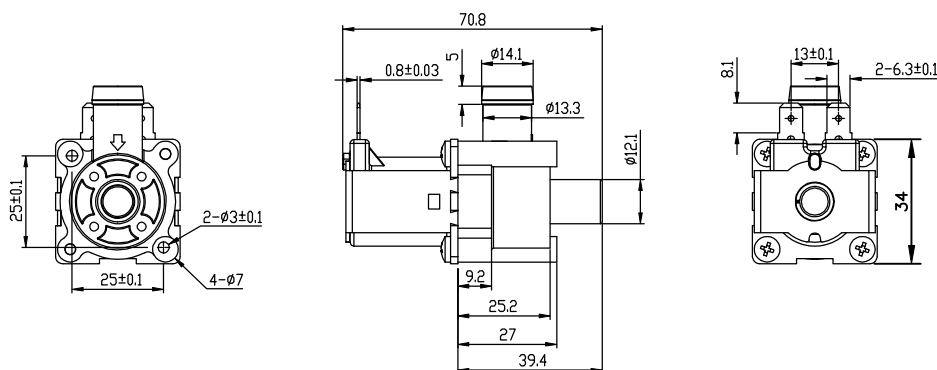
JL007 Solenoid Valve

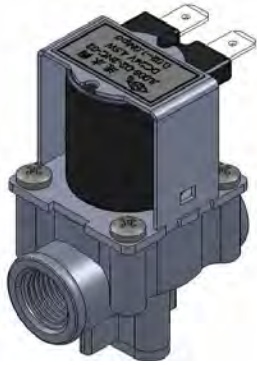
USE:
 Air-condition;
 Water purifier;
 Coffee machine;
 Juice machine

SPECIFICATION

Principle	Straight type
Rating voltage	12VDC, 24VDC
Type	Normal close
Medium	Liquid water; (Underground water); (Juice)
Pressure range	M. O. P. D: 300mmH ₂ O (0--0.003Mpa) (Straight type)
Ambient Temp.	-25~55℃
Max. medium Temp.	90℃
Insulation class	Class "B" (130℃) / "F" (155℃) / "H" (180℃)
Duty cycle	100% at 25℃ (for medium Temp); Intermittent operation at 90℃ (for medium Temp.)
ROHS/Sanitation grade	Comply with ROHS. According to FDA & drinking water quality for the material of touching the medium
Port size/amounting	Hose connection
Installation type	Use screw to fix the 2 holes on the top panel
Other	Customizable

DIMENSIONS (mm)





JL008 G1/4 Solenoid Valve

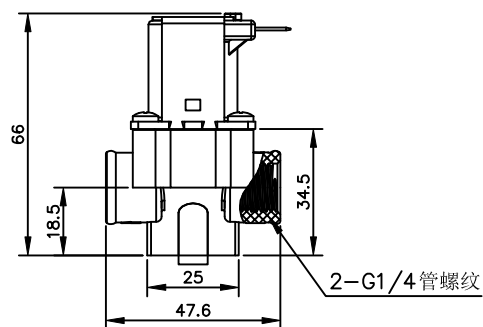
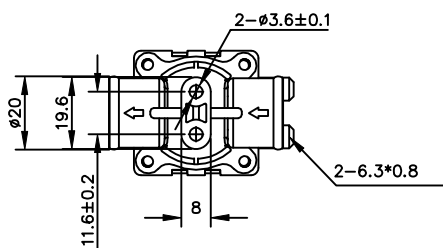
USE:

- Water purifier;
- Boiler;
- Washing machine;
- Bidet

SPECIFICATION

Principle	Straight type, Pilot type
Rating voltage	12VDC, 24VDC, 110VAC/50HZ, 200-240VAC/50HZ
Type	Normal close
Medium	Liquid water; (Underground water)
Pressure range	0.02-0.8MPa (0.2-8bar)/0.02-1.0MPa (0.2-10bar) (Customizable)
Ambient Temp.	-25~55℃
Max. medium Temp.	90℃
Insulation class	Class "B" (130℃) / "F" (155℃) / "H" (180℃)
Duty cycle	100% at 25℃ (for medium Temp.); Intermittent operation at 90℃ (for medium Temp.)
ROHS/Sanitation grade	Comply with ROHS. According to FDA & drinking water quality for the material of touching the medium
Port size/amounting	G1/4 solenoid connector
Installation type	Use screw to fix the 2 holes on the top panel
Other	Customizable

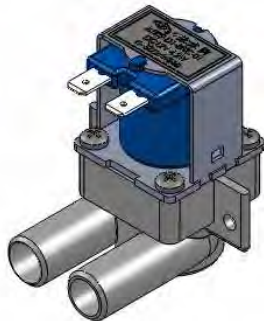
DIMENSIONS (mm)





JL series solenoid valve

JL009 Solenoid Valve



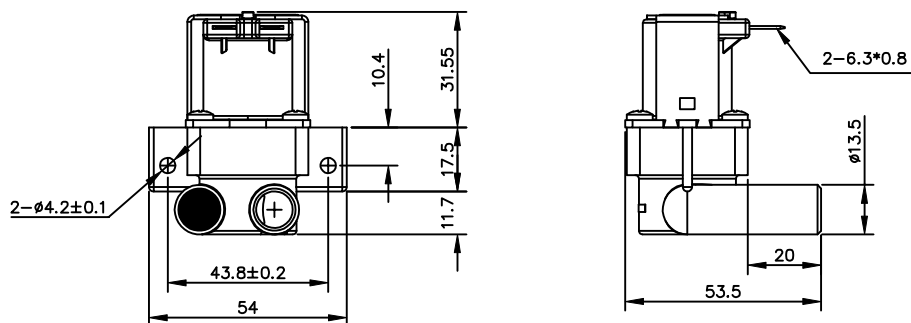
USE:

Air-condition;
Water purifier;
Coffee machine;
Juice machine

SPECIFICATION

Principle	Straight type
Rating voltage	12VDC, 24VDC
Type	Normal close
Medium	Liquid water; (Underground water); (Juice)
Pressure range	M. O. P. D: 500mmH ₂ O (0--0.005Mpa) (Straight type)
Ambient Temp.	-25~55°C
Max. medium Temp.	60°C
Insulation class	Class "B" (130°C) / "F" (155°C) / "H" (180°C)
Duty cycle	100% at 25°C (for medium Temp); Intermittent operation at 60°C (for medium Temp.)
ROHS/Sanitation grade	According to ROHS. According to FDA & drinking water quality for the material of touching the medium
Port size/amounting	Hose connection
Installation type	Use screw to fix the 2 holes on the back panel
Other	Customizable

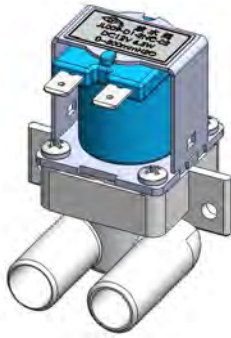
DIMENSIONS (mm)





JL series solenoid valve

JL009 Solenoid Valve



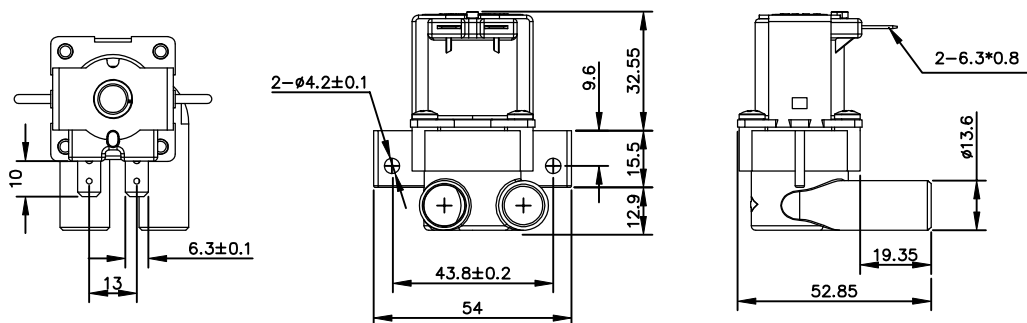
USE:

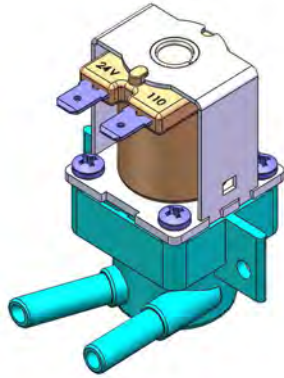
Air-conditioning;
Water purifier;
Coffee machine;
Juice machine

SPECIFICATION

Principle	Straight type
Rating voltage	12VDC, 24VDC
Type	Normal close
Medium	Liquid water; (Underground water); (Juice)
Pressure range	M. O. P. D: 500mmH ₂ O (0--0.005Mpa) (直动式Straight type)
Ambient Temp.	-25~55℃
Max. medium Temp.	60℃
Insulation class	Class "B" (130℃) / "F" (155℃) / "H" (180℃)
Duty cycle	100% at 25℃ (for medium Temp); Intermittent operation at 60℃ (for medium Temp.)
ROHS/Sanitation grade	According to ROHS. According to FDA & drinking water quality for the material of touching the medium
Port size/amounting	Hose connection
Installation type	Use screw to fix the 2 holes on the back panel
Other	Customizable

DIMENSIONS (mm)





JL009 Solenoid Valve

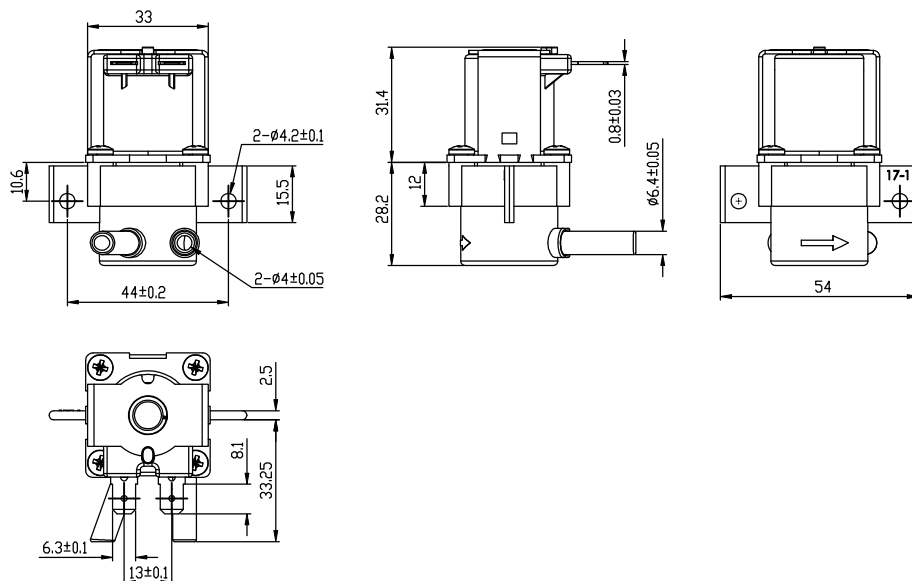
USE:

- Air-condition;
- Water purifier;
- Coffee machine;
- Juice machine

SPECIFICATION

Principle	Straight type
Rating voltage	12VDC, 24VDC
Type	Normal close
Medium	Liquid water; (Underground water); (Juice)
Pressure range	M. O. P. D: 500mmH ₂ O (0--0.005Mpa) (Straight type)
Ambient Temp.	-25~55°C
Max. medium Temp.	60°C
Insulation class	Class "B" (130°C) / "F" (155°C) / "H" (180°C)
Duty cycle	100% at 25°C (for medium Temp); Intermittent operation at 60°C (for medium Temp.)
ROHS/Sanitation grade	According to ROHS. According to FDA & drinking water quality for The material of touching the medium
Port size/amounting	Hose connection
Installation type	Use screw to fix the 2 holes on the back panel
Other	Customizable

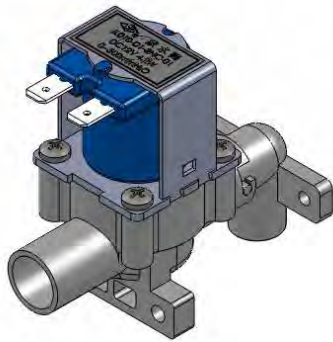
DIMENSIONS (mm)





JL series solenoid valve

JL010 Solenoid Valve



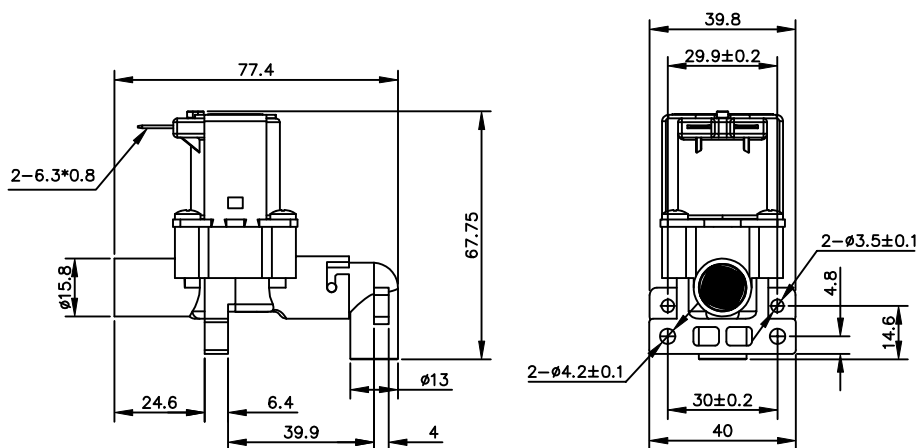
USE:

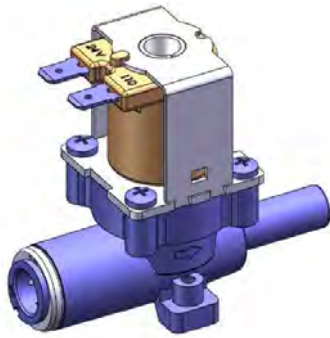
Air-conditioning;
Water purifier;
Coffee machine;
Juice machine

SPECIFICATION

Principle	Straight type
Rating voltage	12VDC, 24VDC
Type	Normal close
Medium	Liquid water; (Underground water); (Juice)
Pressure range	M. O. P. D: 500mmH ₂ O (0--0.005Mpa) (Straight type)
Ambient Temp.	-25~55°C
Max. medium Temp.	60°C
Insulation class	Class "B" (130°C) / "F" (155°C) / "H" (180°C)
Duty cycle	100% at 25°C (for medium Temp.); Intermittent operation at 60°C (for medium Temp.)
ROHS/Sanitation grade	Comply with ROHS. According to FDA & drinking water quality for the material of touching the medium
Port size/amounting	Hose connection
Installation type	Use screw to fix the 4 holes on the bottom panel
Other	Customizable

DIMENSIONS (mm)





JL003 Solenoid Valve

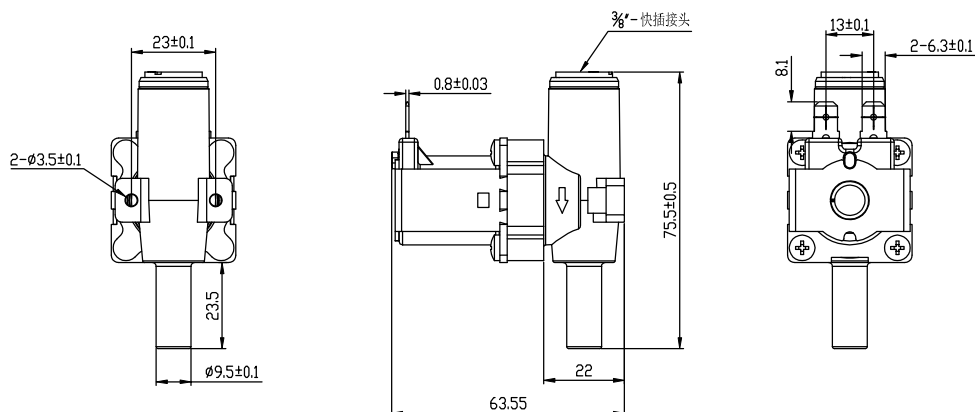
USE:

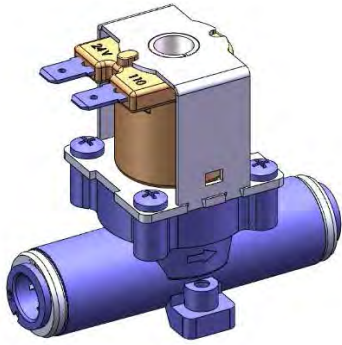
- Water purifier;
- Boiler;
- Washing machine;
- Bidet

SPECIFICATION

Principle	Straight type, Pilot type
Rating voltage	12VDC, 24VDC, 110VAC/50HZ, 200-240VAC/50HZ
Type	Normal close
Medium	Liquid water; (Underground water)
Pressure range	0.02-0.8MPa (0.2-8bar) / 0.02-1.0MPa (0.2-10bar) (Customizable)
Ambient Temp.	-25~55℃
Max. medium Temp.	90℃
Insulation class	Class "B" (130℃) / "F" (155℃) / "H" (180℃)
Duty cycle	100% at 25℃ (for medium Temp); Intermittent operation at 90℃ (for medium Temp.)
ROHS/Sanitation grade	Comply with ROHS. According to FDA & drinking water quality for the material of touching the medium
Port size/amounting	G3/8 quick connector
Installation type	Use screw to fix the 2 holes on the top panel
Other	Customizable

DIMENSIONS (mm)





JL003 Solenoid Valve

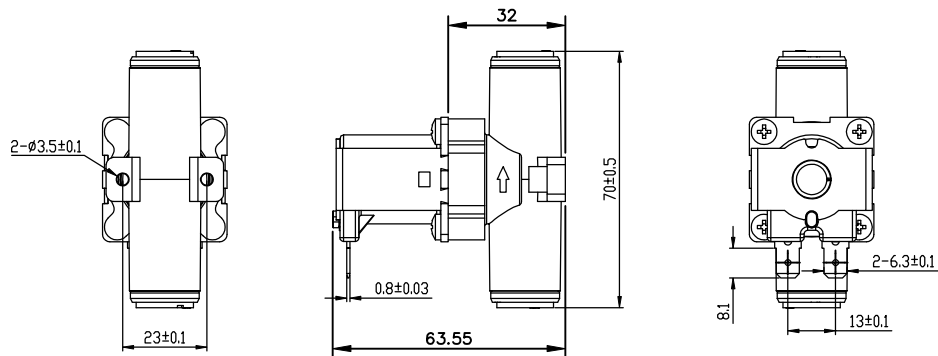
USE:

- Water purifier;
- Boiler;
- Washing machine;
- Bidet

SPECIFICATION

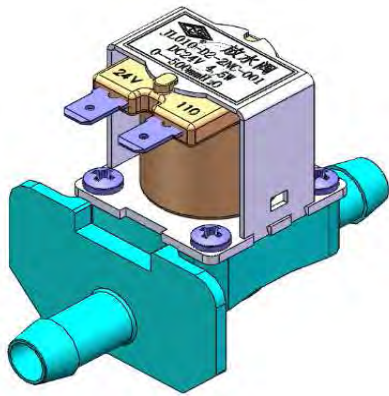
Principle	Straight type, Pilot type
Rating voltage	12VDC, 24VDC, 110VAC/50HZ, 200-240VAC/50HZ
Type	Normal close
Medium	Liquid water; (Underground water)
Pressure range	0.02-0.8MPa (0.2-8bar) / 0.02-1.0MPa (0.2-10bar) (Customizable)
Ambient Temp.	-25~55℃
Max. medium Temp.	90℃
Insulation class	Class "B" (130℃) / "F" (155℃) / "H" (180℃)
Duty cycle	100% at 25℃ (for medium Temp); Intermittent operation at 90℃ (for medium Temp.)
ROHS/Sanitation grade	Comply with ROHS. According to FDA & drinking water quality for the material of touching the medium
Port size/amounting	G3/8 quick connector
Installation type	Use screw to fix the 2 holes on the top panel
Other	Customizable

DIMENSIONS (mm)





JL series solenoid valve



JL010 Solenoid Valve

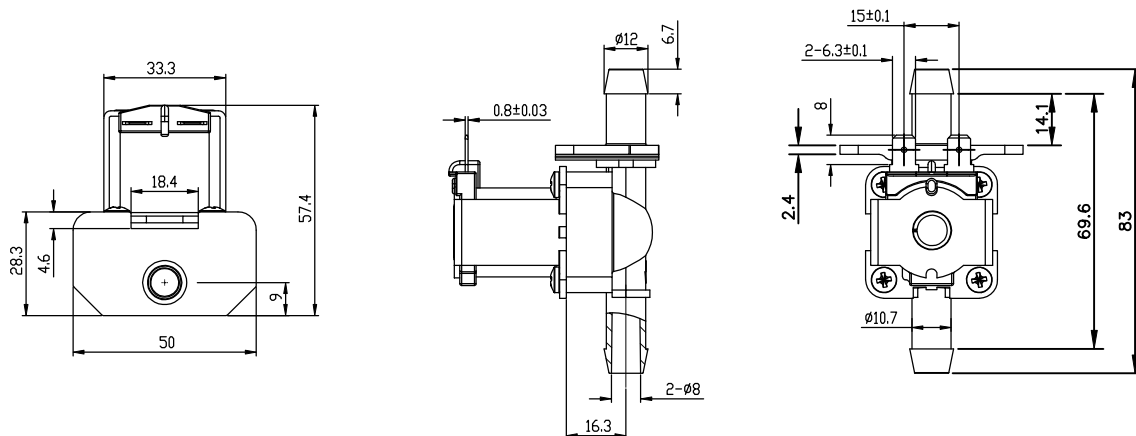
USE:

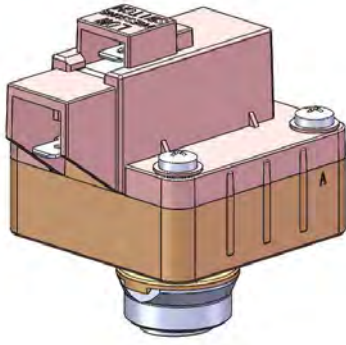
Air-conditioning;
Water purifier;
Coffee machine;
Juice machine

SPECIFICATION

Principle	Straight type
Rating voltage	12VDC, 24VDC, 110VAC/50HZ, 200-240VAC/50HZ
Type	Normal close
Medium	Liquid water; (Underground water); (Juice)
Pressure range	M. O. P. D: 500mmH ₂ O (0--0.005Mpa) (Straight type)
Ambient Temp.	-25~55℃
Max. medium Temp.	60℃
Insulation class	Class "B" (130℃) / "F" (155℃) / "H" (180℃)
Duty cycle	100% at 25℃ (for medium Temp.); Intermittent operation at 60℃ (for medium Temp.)
ROHS/Sanitation grade	Comply with ROHS. According to FDA & drinking water quality for the material of touching the medium
Port size/amounting	Hose connection
Installation type	
Other	Customizable

DIMENSIONS (mm)





JL003 Low Pressure Switch

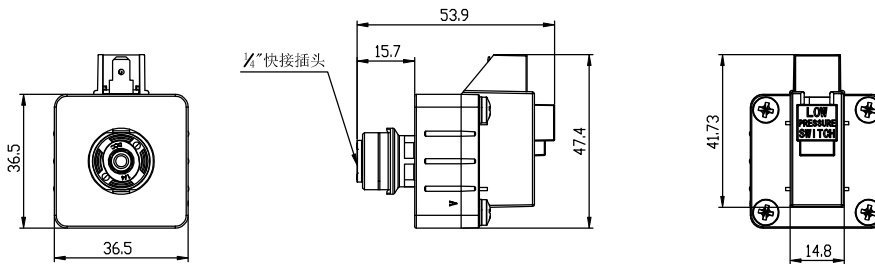
USE:

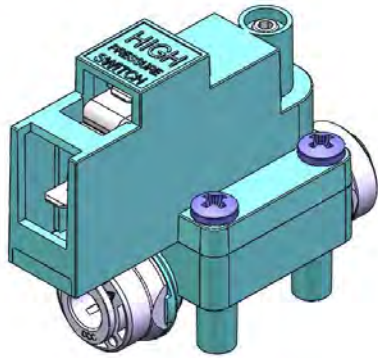
- Water purifier;
- Boiler;
- Washing machine;
- Bidet

SPECIFICATION

Rating voltage	12VDC, 24VDC, 110VAC/50HZ, 200-240VAC/50HZ
Type	Normal Open
Medium	Liquid water; (Underground water)
Performance Characteristic	when water pressure rises from 0 to 0.05±0.05Mpa, switch will be on, but below 0.03±0.02Mpa, it will be off.
Pressure range	0~0.4MPa(0~4bar)
Ambient Temp.	-25~55℃
Max. medium Temp.	90℃
Insulation class	Class "B" (130℃) / "F" (155℃) / "H" (180℃)
Duty cycle	100% at 25℃ (for medium Temp); Intermittent operation at 90℃ (for medium Temp.)
ROHS/Sanitation grade	Comply with ROHS. According to FDA&drinking water quality for The material of touching the medium
Port size/amounting	G1/4 quick connector
Other	Customizable

DIMENSIONS (mm)





JL003 High Pressure Switch

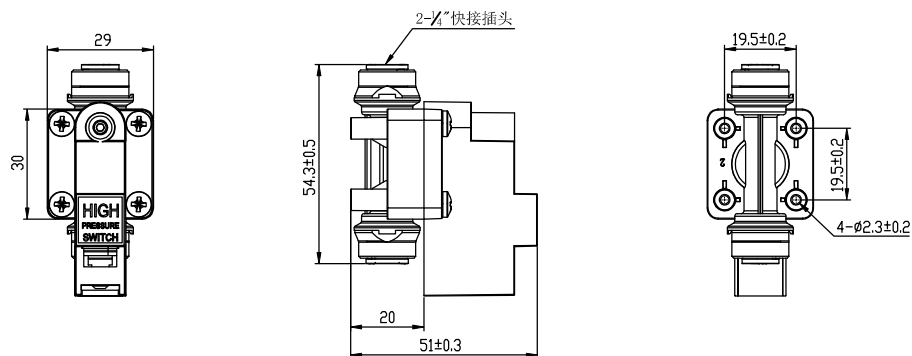
USE:

- Water purifier;
- Boiler;
- Washing machine;
- Bidet

SPECIFICATION

Rating voltage	12VDC, 24VDC, 110VAC/50HZ, 200-240VAC/50HZ
Type	Normal close
Medium	Liquid water; (Underground water)
Performance Characteristic	when water pressure rises from 0 to 0.3±0.05Mpa, switch will be off, but below 0.25Mpa, it will be on.
Pressure range	0~0.4MPa(0~4bar)
Ambient Temp.	-25~55℃
Max. medium Temp.	90℃
Insulation class	Class "B" (130℃) / "F" (155℃) / "H" (180℃)
Duty cycle	100% at 25℃ (for medium Temp); Intermittent operation at 90℃ (for medium Temp.)
ROHS/Sanitation grade	Comply with ROHS. According to FDA&drinking water quality for The material of touching the medium
Port size/amounting	G1/4 quick connector
Installation type	Use screw to fix the 4 holes on the top panel
Other	Customizable

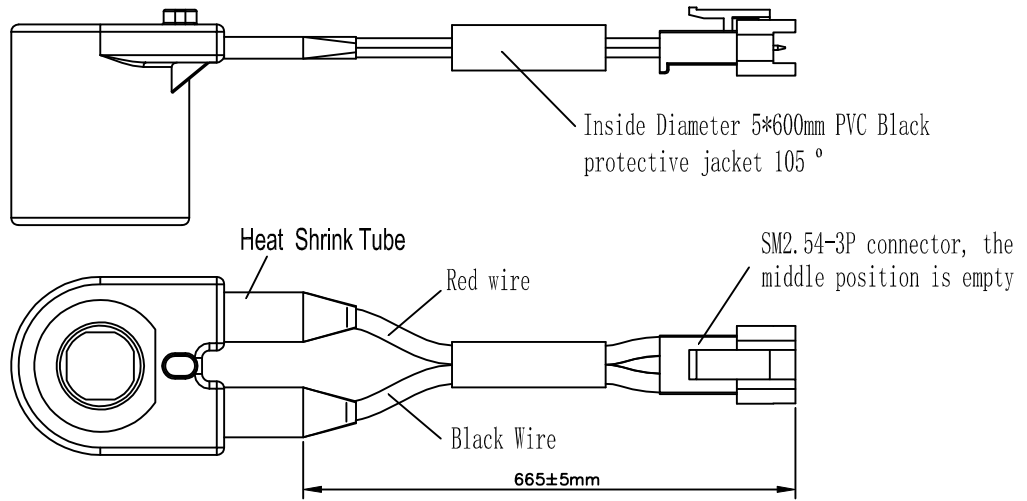
DIMENSIONS (mm)



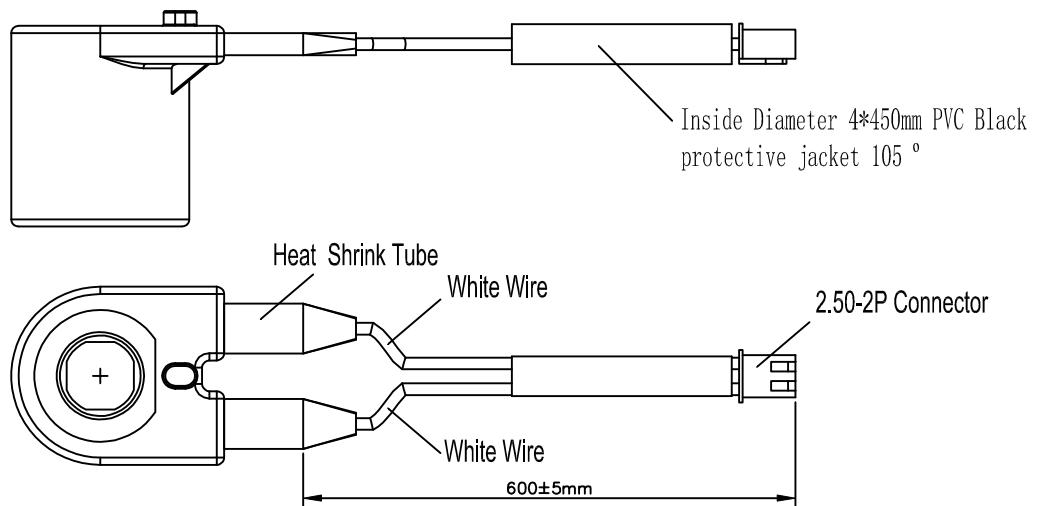


Coil Type

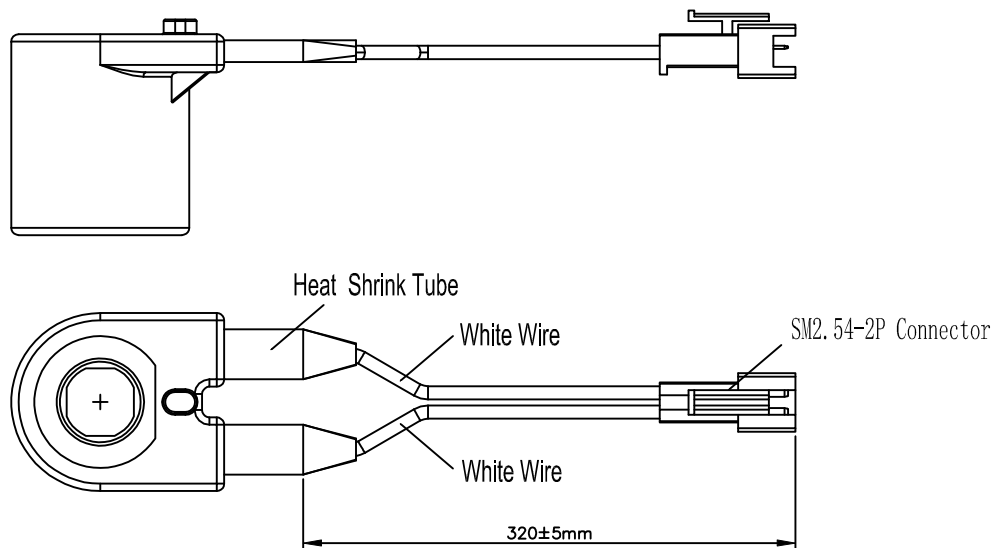
A



B



C





FAX: 86-21-57629089

<http://www.skswitch.com>

The Information for solenoid valve choose

- 1、 Valve Function: Pilot type Straight type
- 2、 Operation Option: Normal Close Normal Open
- 3、 Coil Insulation Class: Class B(130°C) Class F(155°C)
Class H(180°C)
- 4、 Terminal Option: QC Terminal 6.3*0.8 Wire Assy A(see P14)
Wire Assy B(see P14) Wire Assy C(see P14) Customizable
- 5、 Coil Voltage: AC ___ V 50/60HZ DC ___ V
Voltage _____ Power _____
- 6、 Medium : Air Water Hot water Vapor
Coal Gas Other Medium _____
- 7、 Medium Temp: _____ °C
- 8、 Material for valve: PP POM Other _____
- 9、 **Sealing Materials, and Medium Selection Table :** EPDM SI VITON
- 10、 Pressure :Min Pressure (or _____ mmH2O)
Max Pressure (or _____ mmH2O)
- 11、 Port connect type: G1/4 1/4" Hose With 1/4" Connector
Other _____
- 12、 Flow Rate: _____ L/Min at _____ Mpa
- 13、 Use Environment:Temp _____ °C Room Out of room
Under water Other _____
- 14、 Others : _____

Applicable
 Not Applicable
 Blank: Unknown

Material Medium	Copper	Iron	Stainless Steel	Plastic	NBR	EPDM	VITON	PTFE
Air	✓	✓	✓	✓	✓	✓	✓	✓
Gas	✓	✓	✓		✓	✓	✓	✓
Oxygen	✓	✓	✓	✓	✓	✓	✓	✓
Hydrogen	✓		✓		✓		✓	✓
Urban Gas	✓		✓				✓	✓
Industrial Gas	✓		✓		✓			✓
Nitrogen	✓		✓				✓	✓
The Refined Oil	✓	✓	✓				✓	✓
Water	✓	✓	✓	✓	✓	✓	✓	✓
Steam	✓	✓	✓		✗	✓	✓	✓
Drinking	✓	✓	✓	✓		✓		✓
Sea Water	✓		✓	✓	✓	✓	✓	✓
Waste water			✓				✓	✓
Petrol	✓	✓	✓			✗	✓	✓
Kerosene	✓	✓	✓	✓	✓	✗	✓	✓
Diesel	✓	✗	✓	✓	✓	✗	✓	✓
Milk	✓	✓	✓	✓	✓	✓	✓	✓
Wine	✓	✓	✓	✓	✓	✓	✓	✓
Alcohol	✓	✓	✓		✓	✗		✓
Acetylene	✓	✓	✓		✓	✗	✓	✓
Alcohol	✓	✓	✓		✓	✗	✓	✓
Acetone	✓	✓	✓		✓	✗	✗	✓
Ammonia					✗			✓
Methylbenzene	✓	✓	✓			✗	✓	✓
Xylene	✓	✓	✓			✗	✓	✓
Propane	✓	✓	✓			✗	✓	✓
Methane	✓	✓	✓		✓	✗	✓	✓
Sulfur Dioxide	✓	✓	✓				✓	✓
Sodium Hydroxide<20%		✓	✓		✓	✗		✓
Nitric Acid <10%			✓				✓	✓
Vitriol<20%							✓	✓
Hydrochloric Acid <10%								✓
Nitric Acid	✓	✓	✓		✓	✗	✓	✓