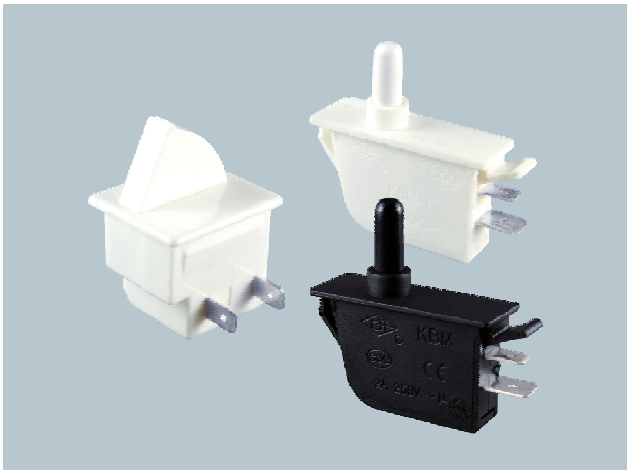




SHANGHAI YONGXING ELECTRONIC SWITCH CO., LTD.



SHANGHAI YONGXING ELECTRONIC



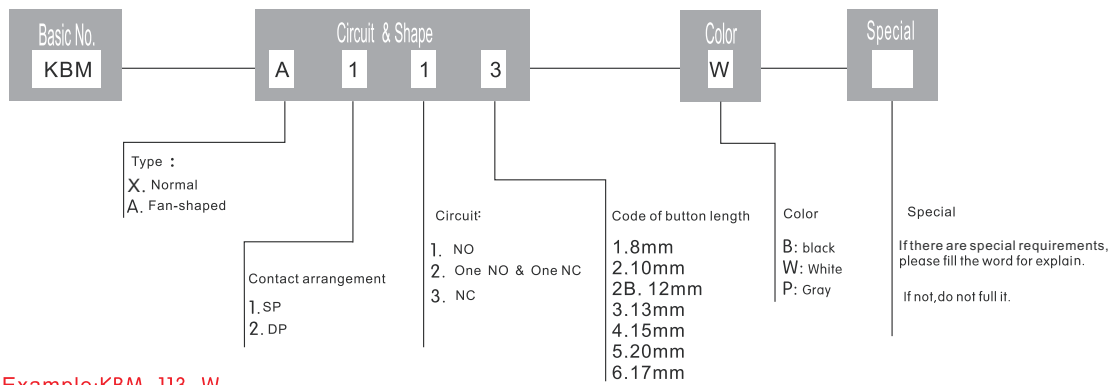
## SPECIFICATION

Contact Resistance	≤50mΩ
Insulation Resistance	100MΩ
Dielectric Strength	KBM:1,500V, KBM-A:1000V
Electronic Life(cycles)	10,000
Mechanical Life(cycles)	50,000
Operating temperature	-25°C~+55°C
IP code	IP40

### Max. Rating Current & Voltage

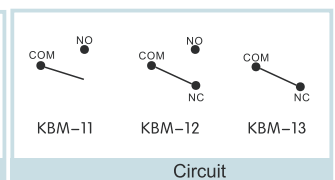
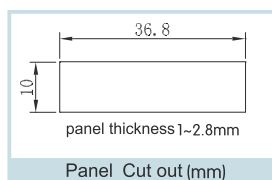
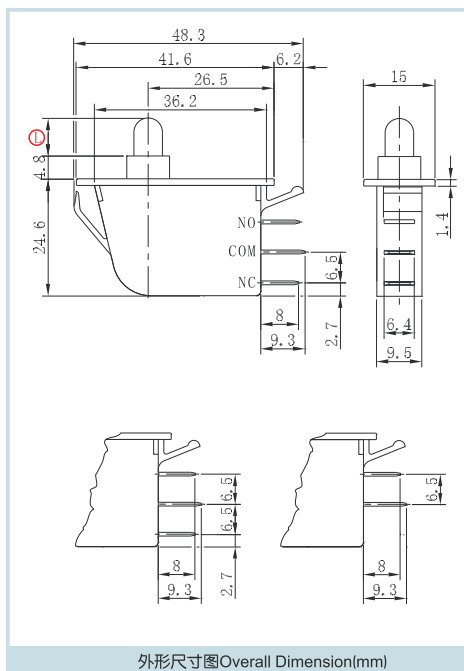
	KBM:2A /250V AC	KBM-A:4A /250VAC
--	-----------------	------------------

## HOW TO ORDER



Example: KBM-113-W

## KBM



NO.	NO.&NC.	NC.
KBM-111	KBM-121	KBM-131
KBM-112	KBM-122	KBM-132
KBM-112B	KBM-122B	KBM-132B
KBM-113	KBM-123	KBM-133
KBM-114	KBM-124	KBM-134
KBM-115	KBM-125	KBM-135
KBM-116	KBM-126	KBM-136

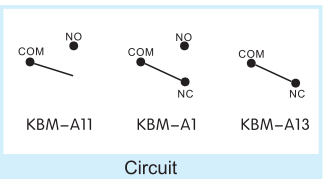
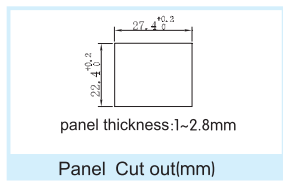
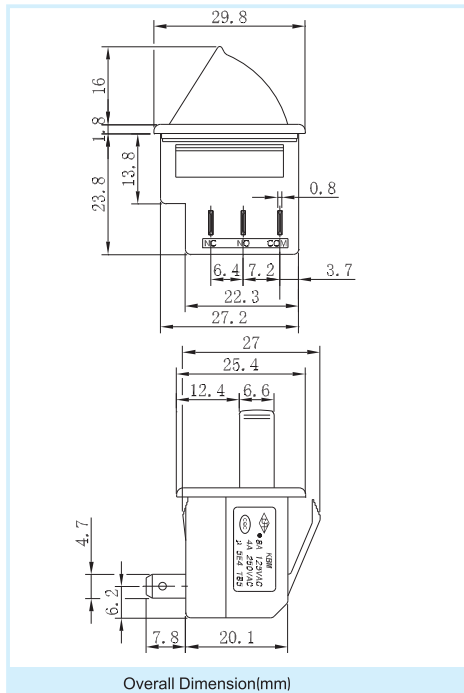
Note: This product is the default color is white, other colors and special models, please contact the Company.

### Model List



# KBM Series Refrigerator Door Switch

## KBM-A



NO.	NO.&NC.	NC.
KBM-A11	KBM-A12	KBM-A13

Note: This product is the default color is white, other colors and special models, please contact the Company.

Model List

## KBM EXAMPLE



KBM-112-W



KBM-113-W



KBM-113-P



KBM-114-B



KBM-A13-W